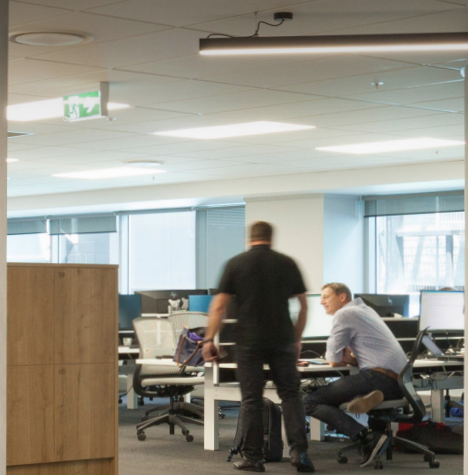




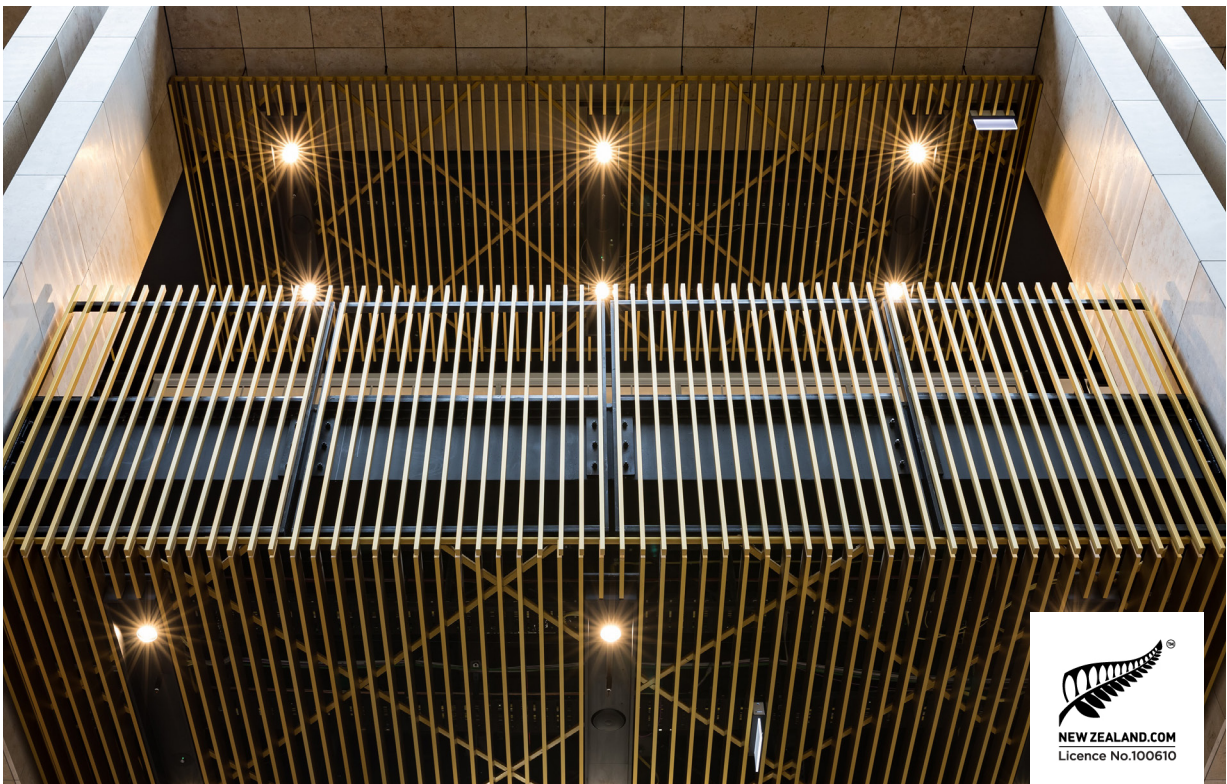
# ECLIPSE ALUMINIUM SUITE





# CONTENTS

Eclipse Overview	3
VertiBrace	6
Eclipse Acoustic	8
Eclipse Smoke Stop Door	10
Eclipse Finishing Options	11
Eclipse 45mm Suite	13
Eclipse 64mm Suite	27
Eclipse 92mm Suite	43
Eclipse Door Suite	57
Eclipse Aluminium Accessories	71
Eclipse Aluminium Door Requirements	74
Eclipse Aluminium Baffle	76
Notes	79



COMMERCIAL BAY  
Eclipse Aluminium Baffle





ABOVE YOUR SPACE, BILLENS  
Eclipse 64mm Aluminium Suite with 100mm Bottom Rolled Door

The Eclipse Aluminium Suite is a quality, user-friendly group of flexible aluminium sections and extrusions. The complete system caters for nearly any variable in an interior office fit-out.

This versatile suite has been designed to work with 64mm and 92mm stud sizes respectively and can be clad with 13mm plasterboard and a variety of layers. A separate 45mm suite can be added as a slim-line extension to the 64mm and 92mm sections or can be installed separately as a minimalistic and cost effective alternative.

The suite is available in a range of colours and finishes; 500+ powdercoat colours, anodised finishes, many MetWood timber grains, and bespoke textures available upon request. A silver ion antimicrobial coating can be applied as part of the powdercoating process when used in hygiene and medical spaces, and this specialised coating is available in 4 colours.

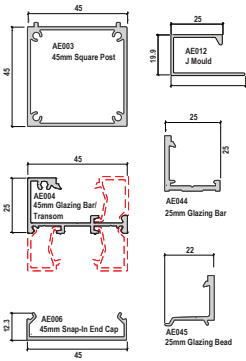
The glazing pockets of the Eclipse Aluminium Suite (including sliding, hinged or bifold door profiles) can accept glass up to 12.38mm thick. This is very advantageous and allows the integration of high spec E glass and laminate options into the suite.

The suite is the only acoustically tested suite in New Zealand. The STC performance for the double glazing has been physically proven. The testing was conducted at the University of Canterbury School of Engineering and Canterbury Acoustic Testing Services.

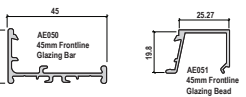
The suite has great adaptability to meet most functionality and aesthetic purposes. Furthermore, since the product is manufactured in New Zealand, bespoke options are readily available.



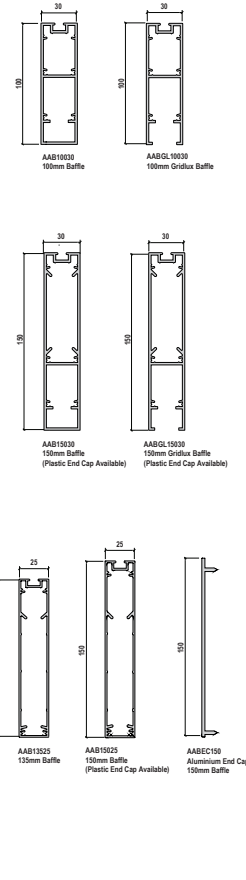
## 45mm SUITE



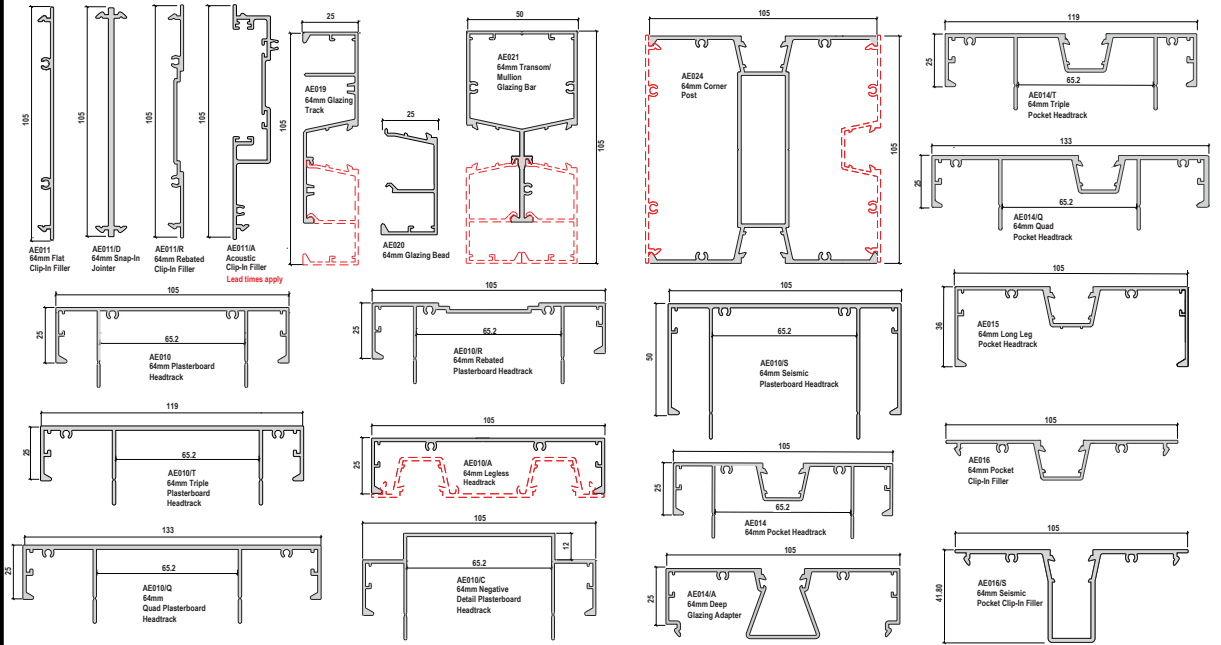
## 45mm FRONTLINE



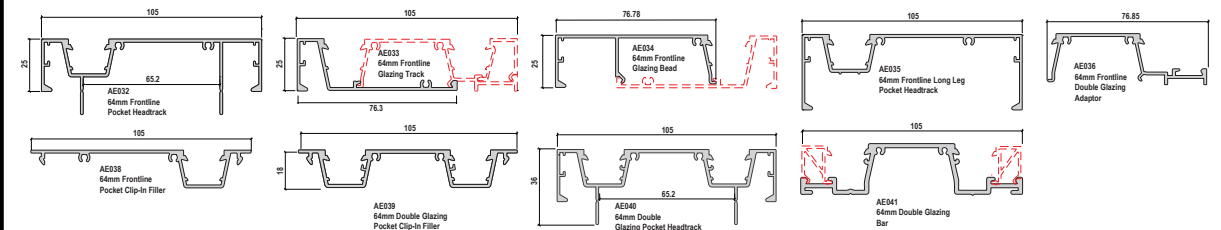
## BAFFLE



## 64mm SUITE



## 64mm FRONTLINE & DOUBLE GLAZING



## DOOR SUITE



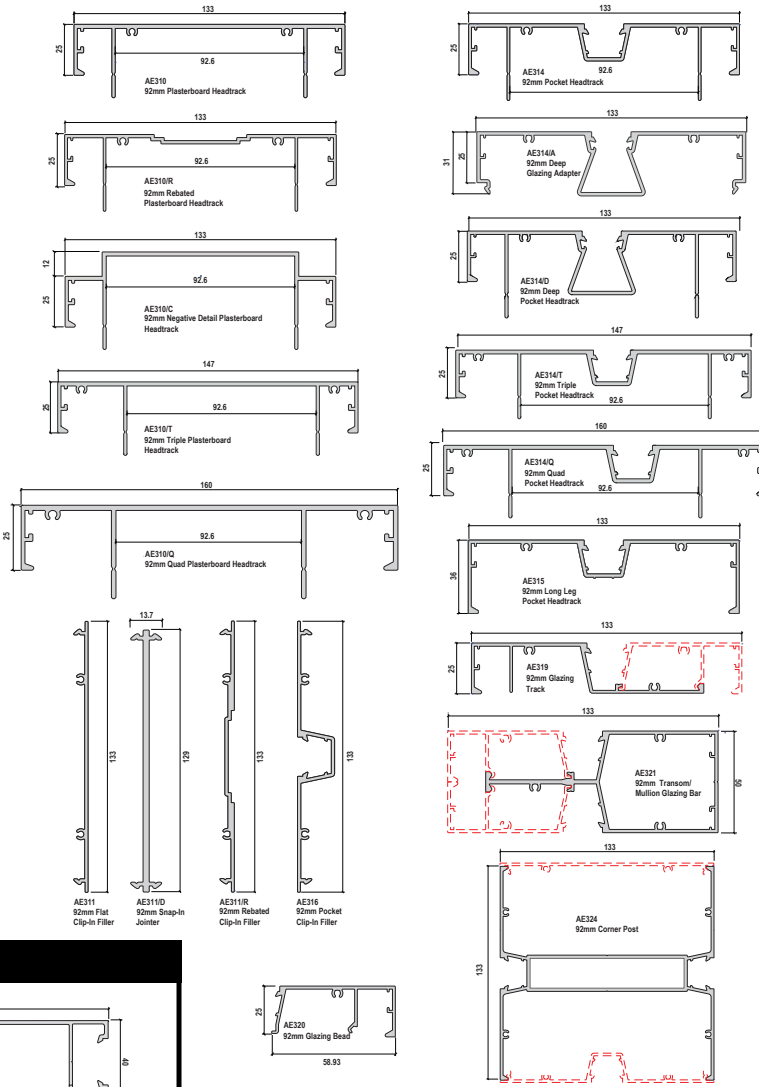
NOT TO SCALE. REFER DIMENSIONED PROFILES OR DOWNLOAD THE .DWG FILES FROM [WWW.TRIS.CO.NZ](http://WWW.TRIS.CO.NZ)



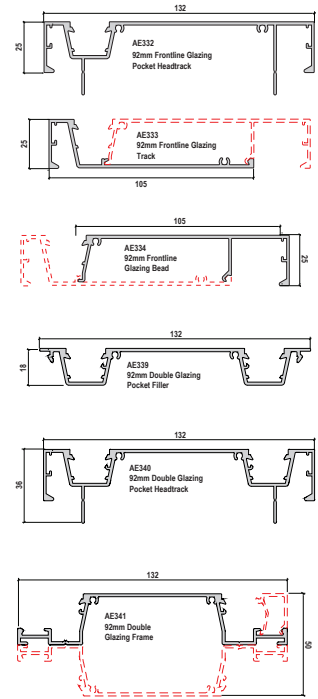
0800 666 556  
info@tris.co.nz  
www.tris.co.nz



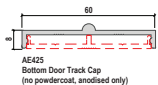
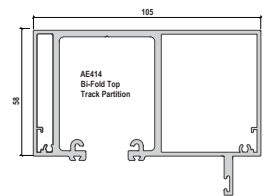
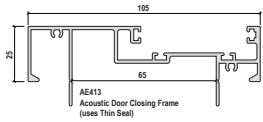
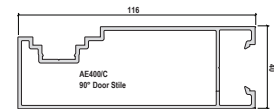
## 92mm SUITE



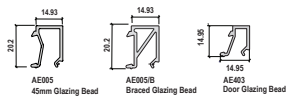
## 92mm FRONTLINE & DOUBLE GLAZING



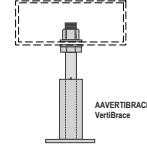
## ACCESSORIES



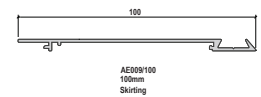
### GLAZING BEADS



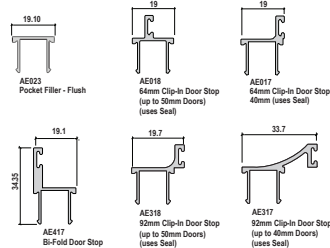
### VERTIBRACE



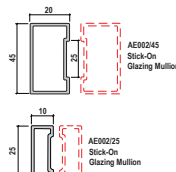
### SKIRTING



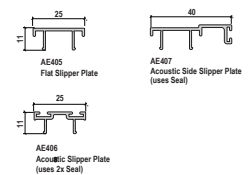
### POCKET FILLERS



### STICK-ON GLAZING MULLIONS



### SLIPPER PLATES



September 2022

NOT TO SCALE. REFER DIMENSIONED PROFILES OR DOWNLOAD THE .DWG FILES FROM [WWW.TRIS.CO.NZ](http://WWW.TRIS.CO.NZ)



## SEISMIC RESTRAINT

# VertiBrace®

A new standard in partition restraint

All buildings are affected by vertical movement. This movement can be caused by wind and seismic events as well as live/dead loads imposed on the floor above. In large or multi-level buildings this movement can be substantial. When not considered, vertical movement can cause irreversible damage to partition walls and may endanger occupants in the event of a natural disaster.

VertiBrace provides lateral bracing for partial height partition walls and removes the need for deflection headtrack. It prevents many of the issues seen during the Christchurch, Kaikoura and Seddon Earthquakes, helping to ensure occupant safety and limit non-structural partition damage.

The VertiBrace utilises a sliding connection that separates the partition wall from the structure above meaning that any vertical deflection doesn't damage the partition system. When installed, the VertiBrace will allow for +/- 25mm deflection, 50mm total. A taller version is available to accommodate 70mm worth of movement (+/- 35mm).

The VertiBrace cylinder is fitted with an acoustic sleeve which prevents noise as the connection slides. An additional benefit is that this greatly reduces footfall vibrations transferring down through partition walls.

VertiBrace can be fitted to timber, aluminium, and steel headtracks and can be retro-fitted to most existing partitions.

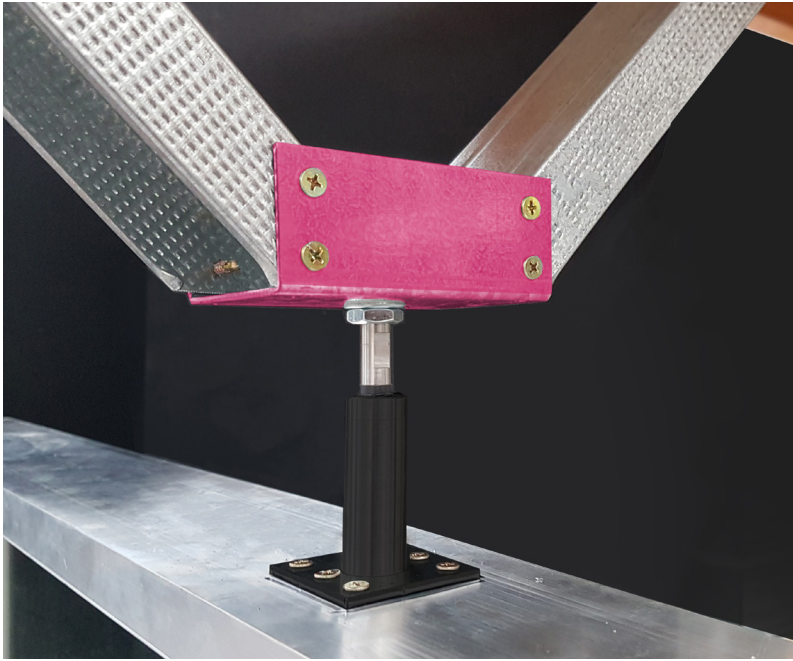
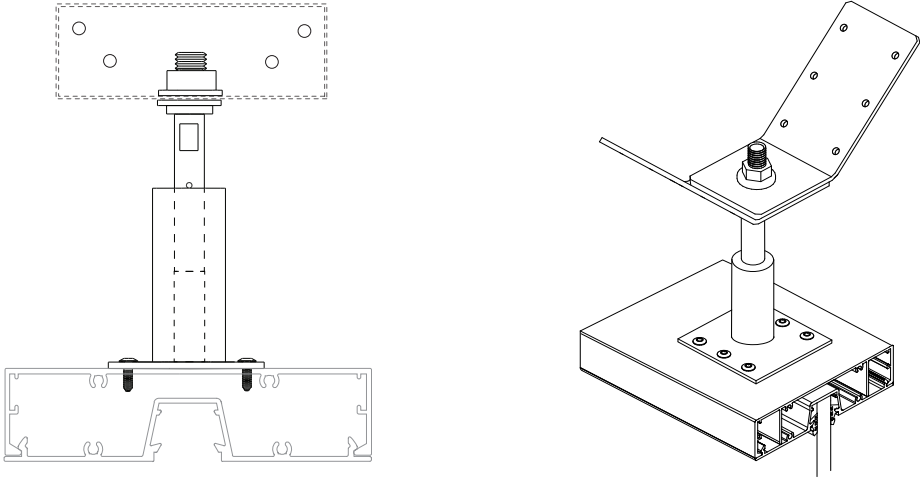


Free plan markup service available



SEISMIC RESTRAINT

**VertiBrace**<sup>®</sup>  
A new standard in partition restraint



Eclipse Aluminium partition walls and glazing lines should be braced with VertiBrace for seismic compliance.

NOT TO SCALE. REFER DIMENSIONED PROFILES OR DOWNLOAD THE .DWG FILES FROM [WWW.TRIS.CO.NZ](http://WWW.TRIS.CO.NZ)

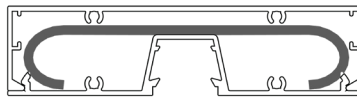
## ECLIPSE ACOUSTIC

Glazed partitions often lose attenuation performance through the aluminium components, compromising the performance of the glazing and resulting in less than optimal acoustic separation.

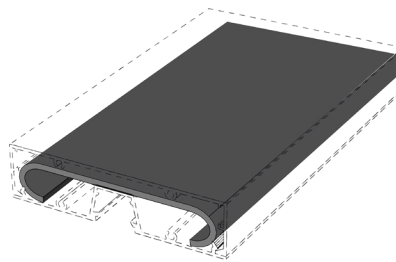
The Eclipse Aluminium extrusions used for glazed partitions can be filled with an Acoustic Barrier.

This barrier is thin and highly flexible, creating a powerful acoustic barrier that's dense and tear resistant. This adds mass to the systems as well as dampening acoustic vibration. This greatly improves the attenuation performance of the aluminium and thereby the overall system.

FRONT VIEW



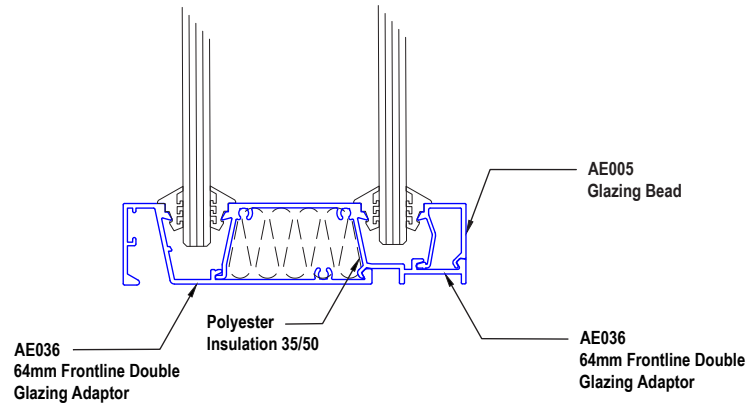
ISOMETRIC



NOT TO SCALE. REFER DIMENSIONED PROFILES OR DOWNLOAD THE .DWG FILES FROM [WWW.TRIS.CO.NZ](http://WWW.TRIS.CO.NZ)



# TESTED DOUBLE GLAZED ACOUSTIC PARTITIONS



GLASS DESCRIPTION	RESULT
10mm Toughened, 50mm air space, 10.38mm PVB Laminate	43 STC
10.38mm PVB Laminate, 50mm air space, 11.52mm Antibandit	46 STC
10mm Toughened, 50mm air space, 10.76mm PVBA Laminate	47 STC
10.76mm PVBA Laminate, 50mm air space, 10.38mm PVB Laminate	47 STC
10.76mm PVB Laminate, 50mm air space, 11.52mm Antibandit	48 STC

*Physically tested by University of Canterbury Acoustic Testing Lab.*



LEMONWOOD SCHOOL, STEPHENSON & TURNER  
64mm Double Glazing

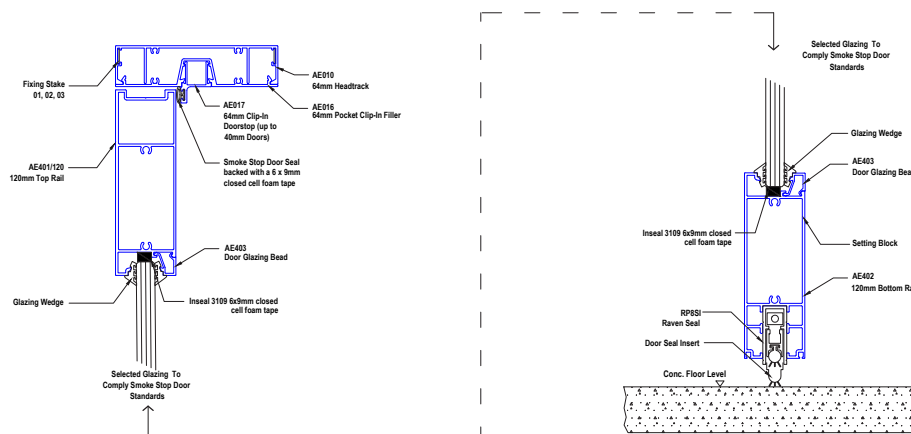
NOT TO SCALE. REFER DIMENSIONED PROFILES OR DOWNLOAD THE .DWG FILES FROM [WWW.TRIS.CO.NZ](http://WWW.TRIS.CO.NZ)

## ECLIPSE SMOKE STOP DOOR

Our Eclipse Smoke Stop Door offers protection from the spread of smoke.

The door system has been tested to AS/NZS 1530.7:1998 Methods for fire tests on building materials, components and structures - Smoke control door and shutter assemblies - Ambient and medium temperature leakage test procedure. This sets out test procedures for a method for determining the smoke leakage through doors and shutters. This Standard is based on but not equivalent to ISO/CD 5925-1.

The Eclipse Smoke Stop Door complies with the requirements of the NZ Building Code (NZBC), set out in the Acceptable Solutions Appendix C, C6.1.2 and achieves a -/-SM rating.



**D11 - 120**  
Eclipse Smoke Stop Door

NOT TO SCALE. REFER DIMENSIONED PROFILES OR DOWNLOAD THE .DWG FILES FROM [WWW.TRIS.CO.NZ](http://WWW.TRIS.CO.NZ)



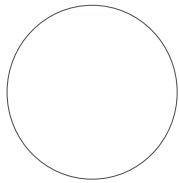
## FINISHING OPTIONS

### STANDARD COLOURS

500+ powdercoat colours and anodising are standard. Call us to discuss your colour needs.

### ANTIMICROBIAL COAT COLOURS

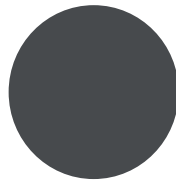
The Eclipse Aluminium Suite has an optional antimicrobial coating for hygiene applications.



APPLIANCE WHITE



PEARL WHITE



GREY



BLACK

### METWOOD COLOURS



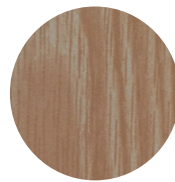
BEECH WOOD



HONEY MANUKA



WASHED TEAK



PLYWOOD



WASHED RIVERWOOD



OAK BROOM



DARK RIVERWOOD



DARKEST GUM



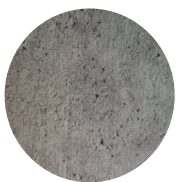
KAHIKATEA



TAWA



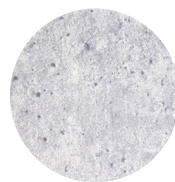
BLACK BEAN



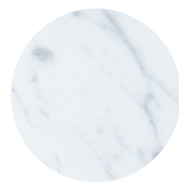
CONCRETE



GREY MARBLE



WHITE CONCRETE



WHITE MARBLE

## ANTIMICROBIAL POWDERCOAT

### How is efficacy testing performed?

There are various efficacy testing methods used to evaluate the antimicrobial activity.

Interpon™ Antimicrobial Coatings are tested using the method ISO 22196:2007, which was modeled after JIS Z 2801, a Japanese norm that is currently most widely used. The test microorganism (Staphylococcus Aureus) is prepared, usually by growth in a liquid culture medium. The suspension of test microorganism is standardised by dilution in a nutritive broth (this affords microorganisms the potential to grow during the test).

Control and test surfaces are inoculated with microorganisms in triplicate, and then the microbial inoculum is covered with a thin, sterile film. Covering the inoculum spreads it, prevents it from evaporating, and ensures close contact with the antimicrobial surface.

Microbial concentrations are determined at "time zero" by elution followed by dilution and plating. A control is run to verify that the neutralisation/elution method effectively neutralises the antimicrobial agent in the antimicrobial surface being tested.

Inoculated, covered control and antimicrobial test surfaces are allowed to incubate undisturbed in a humid environment for 24 hours. After incubation, microbial concentrations are determined. Reduction of microorganisms relative to initial concentrations and the control surface is calculated.

BACTERIA USED FOR THE TEST	COATING APPLIED	NUMBER OF LIVING BACTERIA		AAV	REDUCTION %
		At Start	After 24 Hrs		
Escherichia Coli NBRC 3972	Antimicrobial Polyester	9x10 <sup>4</sup>	<1x10 <sup>2</sup>	>5.4 <sup>2</sup>	>99.999
Staphylococcus Aureus NBRC 12732		<1x10 <sup>5</sup>	<1x10 <sup>2</sup>	>3.9	>99.999



# Eclipse 45mm Aluminium Suite





## ECLIPSE 45mm

- Minimal aesthetic
- Clean lines
- Cost effective
- Easy to install
- Space saving
- Option of frontline glazing

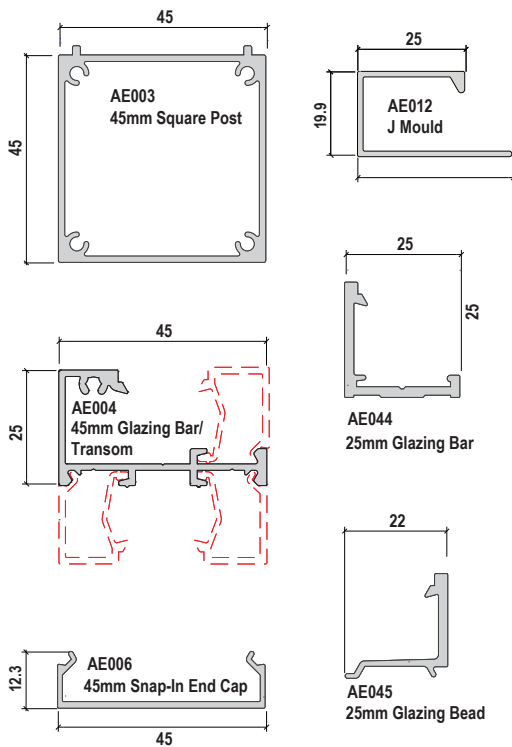
**Finishing options:**

Eclipse Aluminium Suite is available anodised or powdercoated, including MetWood timber finishes. Can accept glass up to 12.38mm.

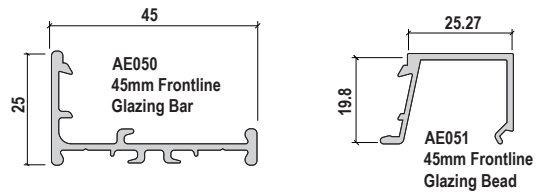


CRAWFORDS  
Eclipse 45mm Aluminium Suite

ECLIPSE 45mm ALUMINIUM SUITE



45mm PROFILES



45mm FRONTLINE PROFILES

NOT TO SCALE. REFER DIMENSIONED PROFILES OR DOWNLOAD THE .DWG FILES FROM [WWW.TRIS.CO.NZ](http://WWW.TRIS.CO.NZ)



ECLIPSE 45mm ALUMINIUM SUITE



NOT TO SCALE. REFER DIMENSIONED PROFILES OR DOWNLOAD THE .DWG FILES FROM [WWW.TRIS.CO.NZ](http://WWW.TRIS.CO.NZ)



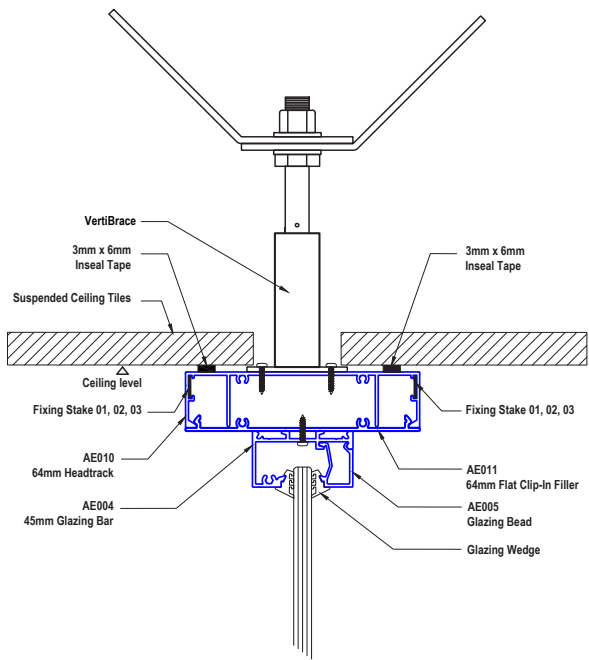
Detail variations  
found online.



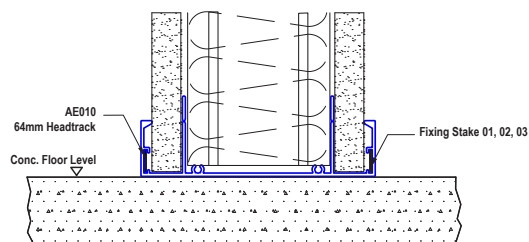
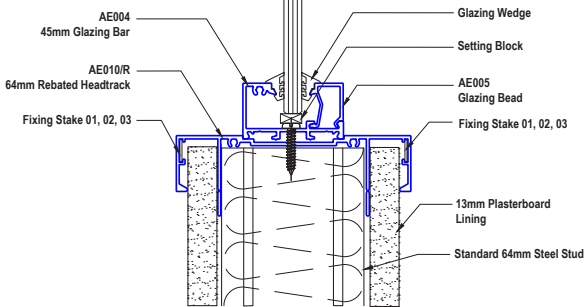
0800 666 556  
info@tris.co.nz  
www.tris.co.nz

**45mm Glazing and  
Plasterboard**

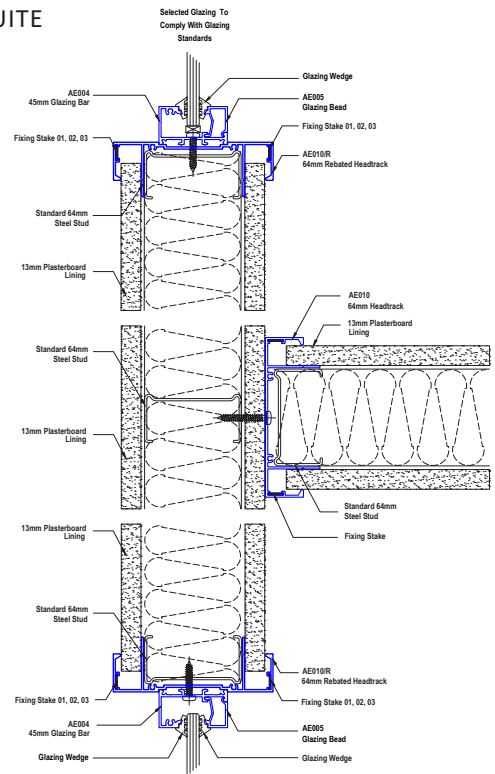
# ECLIPSE 45mm ALUMINIUM SUITE



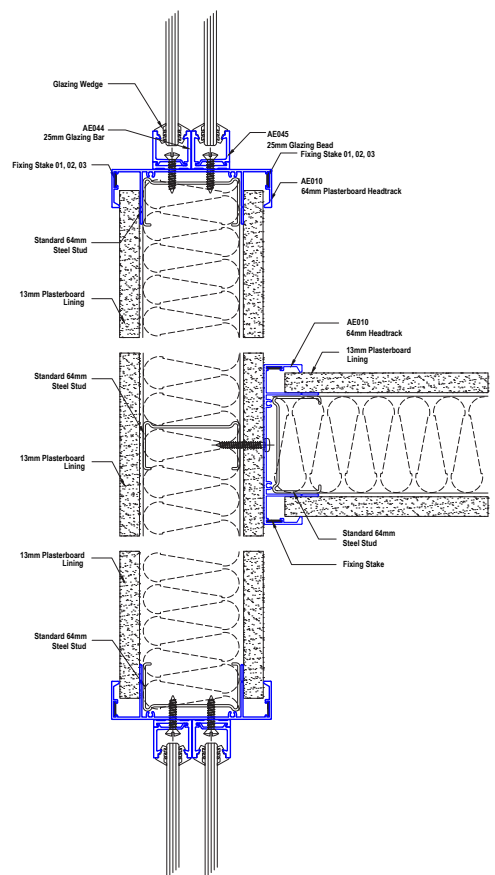
Selected Glazing To Comply With Glazing Standards



**E45 - 03**  
45mm Glazing and Plasterboard Section



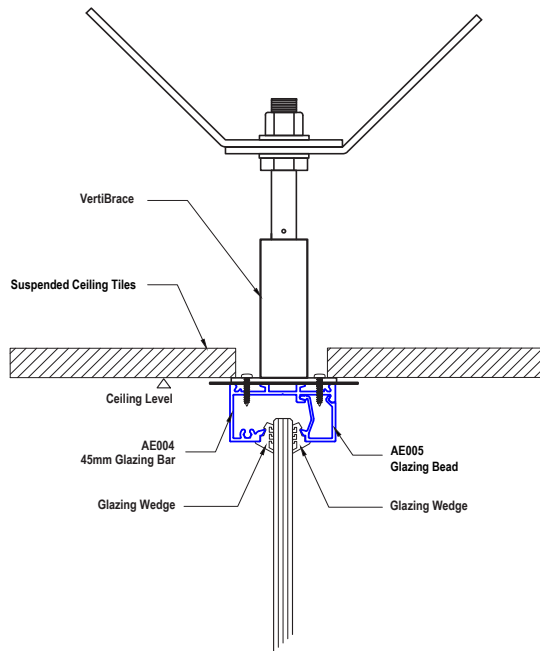
Selected Glazing To Comply With Glazing Standards



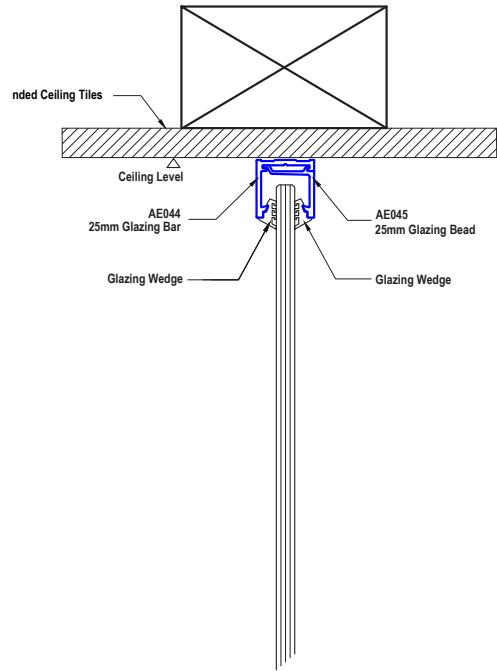
**E45 - 04**  
45mm Glazing and Double Glazing Plan

NOT TO SCALE. REFER DIMENSIONED PROFILES OR DOWNLOAD THE .DWG FILES FROM [WWW.TRIS.CO.NZ](http://WWW.TRIS.CO.NZ)

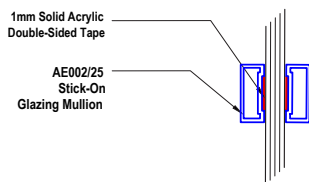
ECLIPSE 45mm ALUMINIUM SUITE



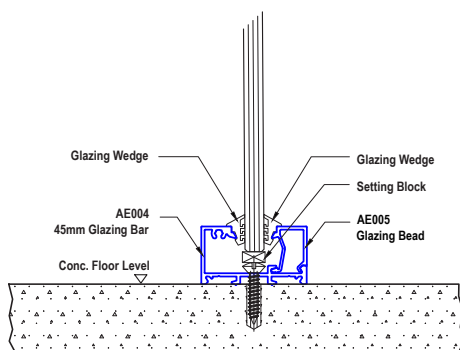
Selected Glazing To Comply With Glazing Standards



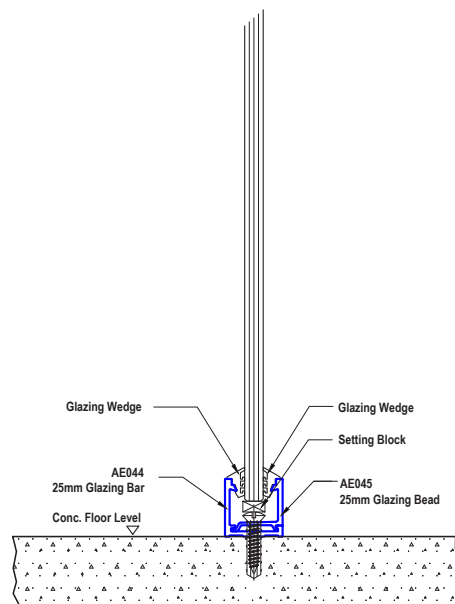
Selected Glazing To Comply With Glazing Standards



Selected Glazing To Comply With Glazing Standards



**E45 - 05**  
45mm Glazing Section



**E45 - 06**  
45mm Glazing Section

Side-lights only. Not recommended for glazed partitions.

NOT TO SCALE. REFER DIMENSIONED PROFILES OR DOWNLOAD THE .DWG FILES FROM [WWW.TRIS.CO.NZ](http://WWW.TRIS.CO.NZ)



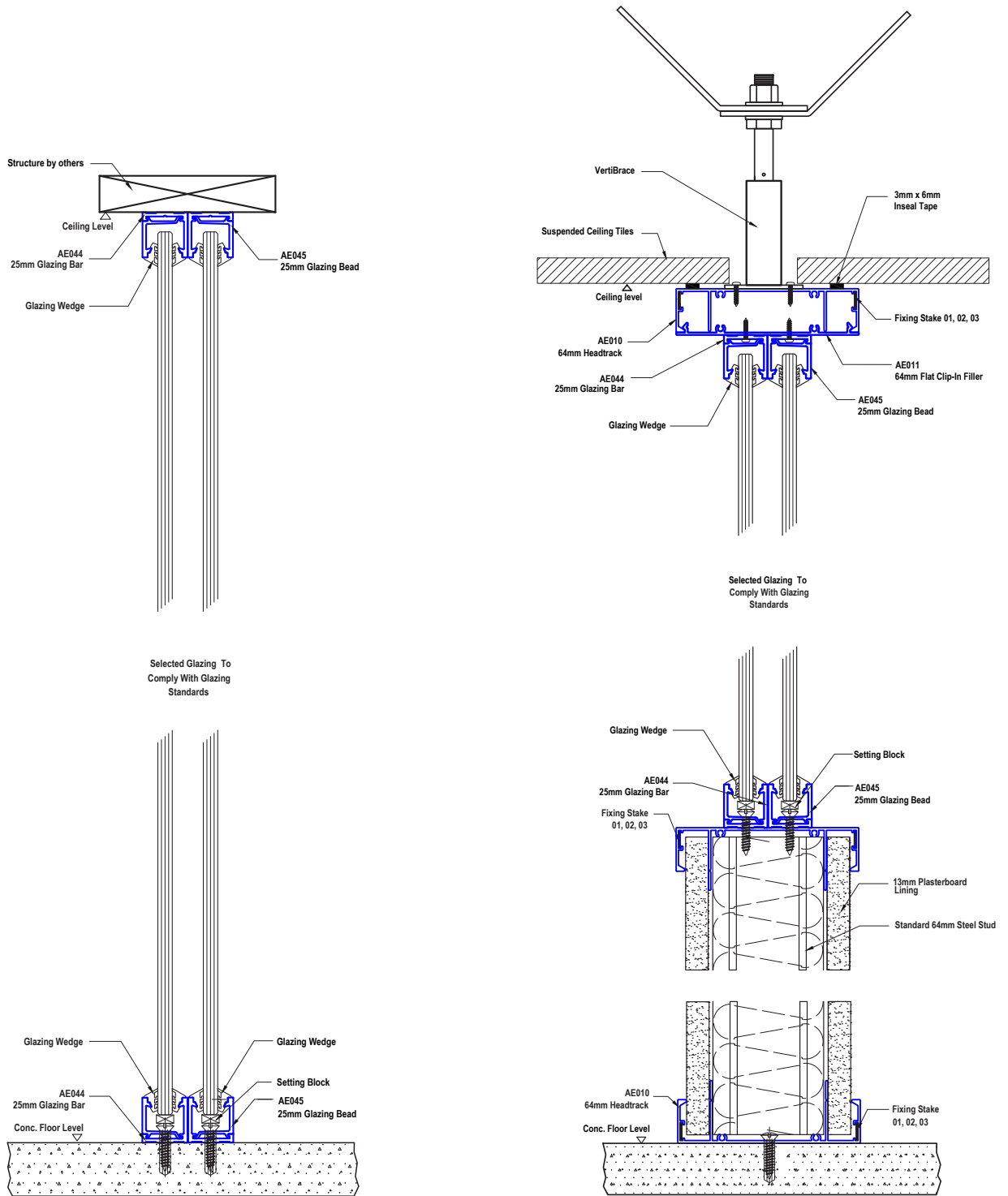
Detail variations found online.



0800 666 556  
info@tris.co.nz  
www.tris.co.nz

**Partition Details**

ECLIPSE 45mm ALUMINIUM SUITE



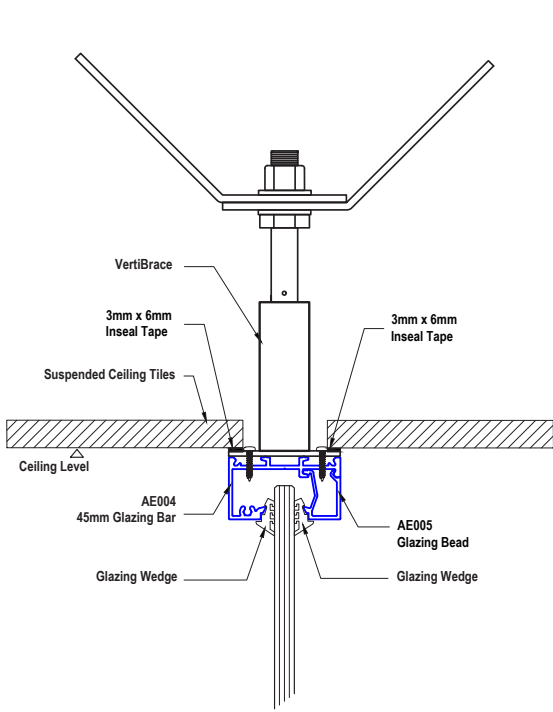
**E45 - 06B**  
45mm Double Glazing Section

**E45 - 06C**  
45mm Double Glazing with  
Plasterboard Section

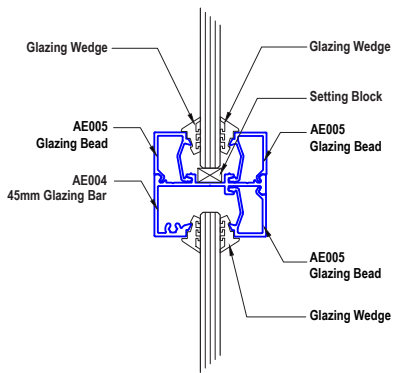
NOT TO SCALE. REFER DIMENSIONED PROFILES OR DOWNLOAD THE .DWG FILES FROM [WWW.TRIS.CO.NZ](http://WWW.TRIS.CO.NZ)



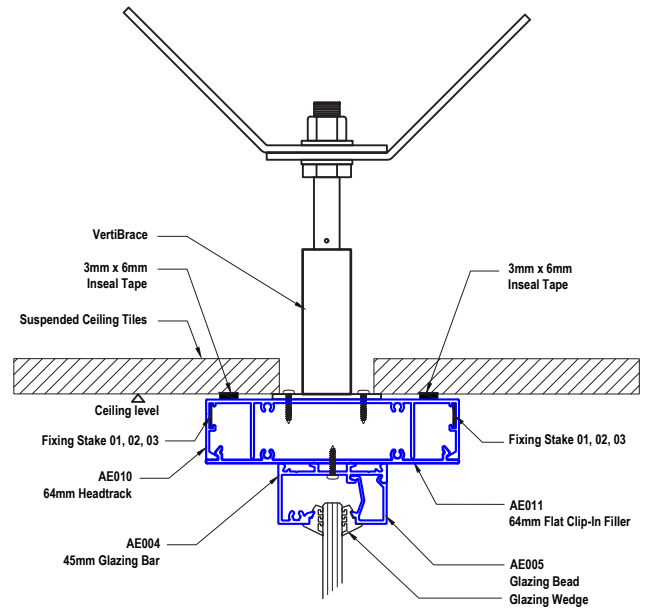
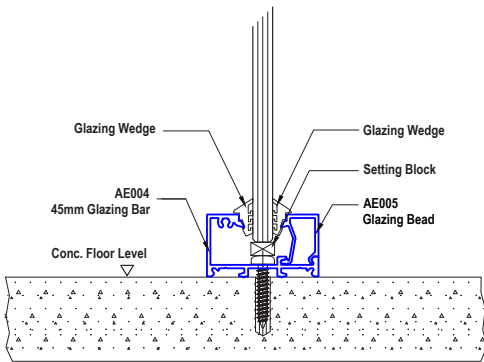
ECLIPSE 45mm ALUMINIUM SUITE



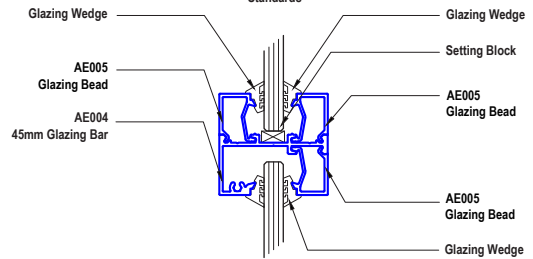
Selected Glazing To Comply With Glazing Standards



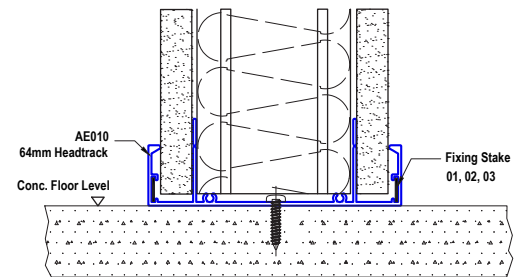
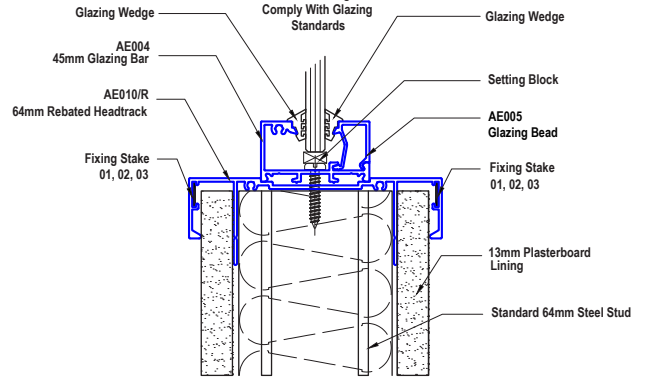
Selected Glazing To Comply With Glazing Standards



Selected Glazing To Comply With Glazing Standards



Selected Glazing To Comply With Glazing Standards



**E45 - 07**

45mm Glazing with Transom Section

**E45 - 08**

45mm Half Height Glazing with Transom Section

NOT TO SCALE. REFER DIMENSIONED PROFILES OR DOWNLOAD THE .DWG FILES FROM [WWW.TRIS.CO.NZ](http://WWW.TRIS.CO.NZ)



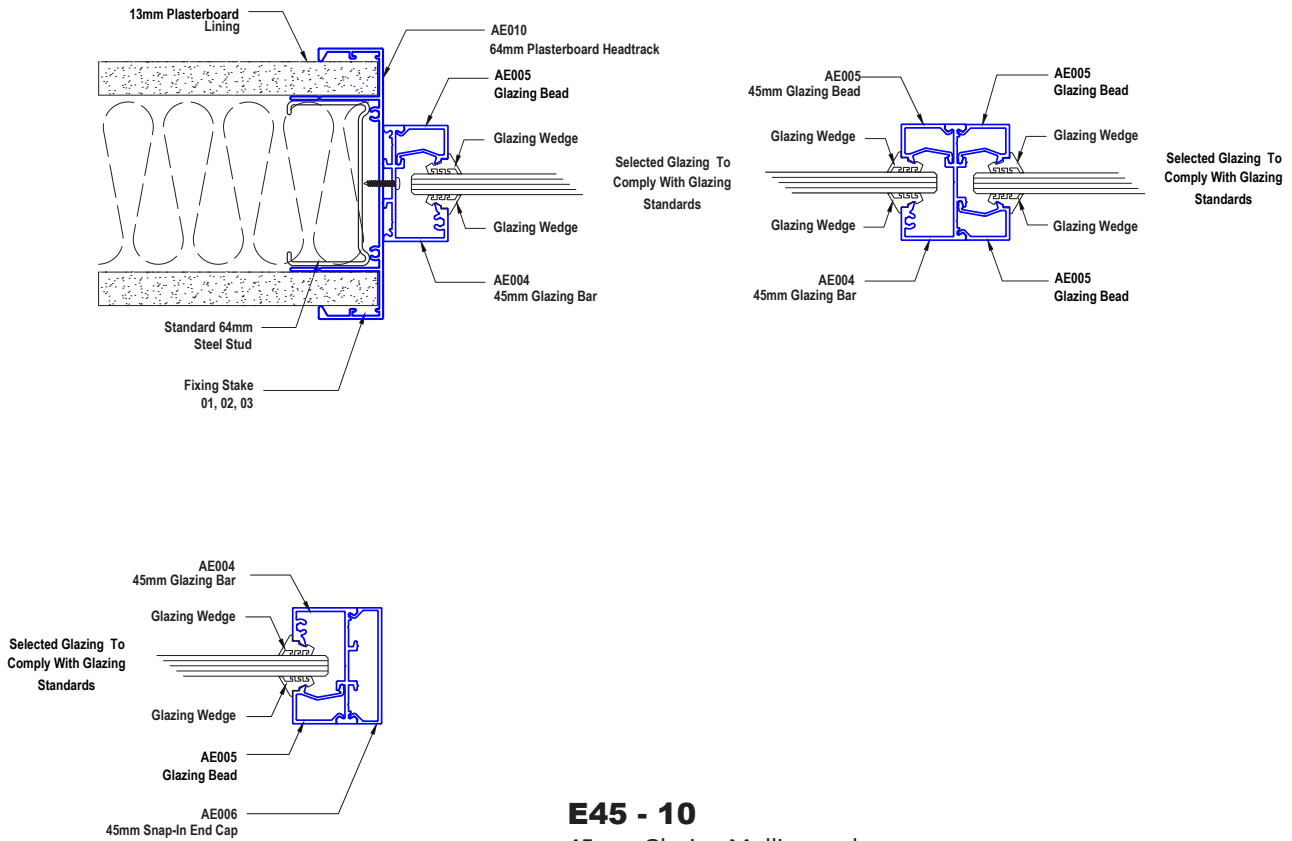
Detail variations found online.



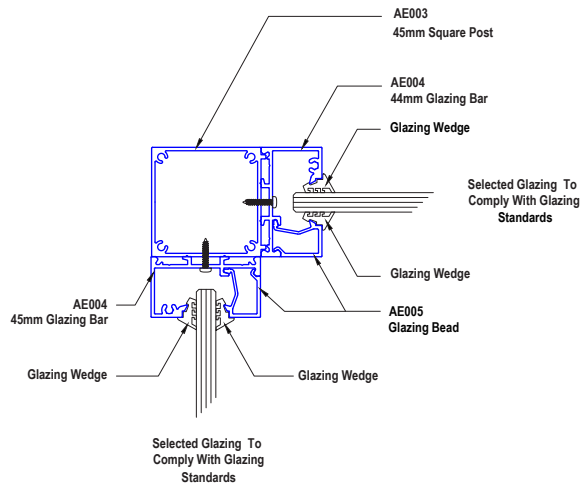
0800 666 556  
info@tris.co.nz  
www.tris.co.nz

**Partition Details**

# ECLIPSE 45mm ALUMINIUM SUITE



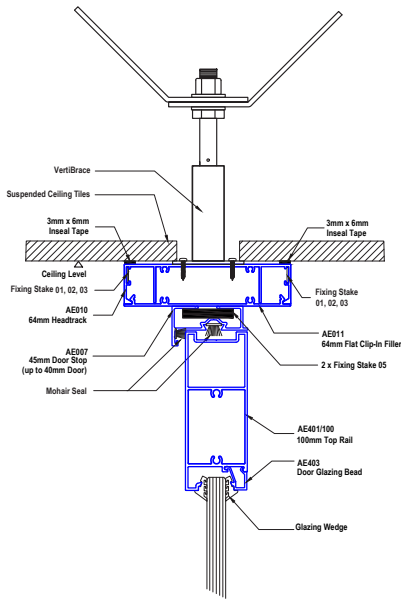
**E45 - 10**  
45mm Glazing Mullion and Termination Plan



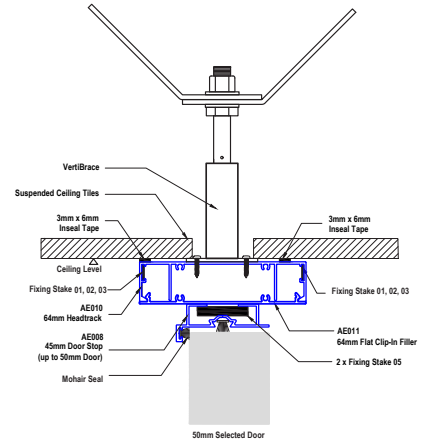
**E45 - 11**  
45mm Glazing Corner Post Plan

NOT TO SCALE. REFER DIMENSIONED PROFILES OR DOWNLOAD THE .DWG FILES FROM [WWW.TRIS.CO.NZ](http://WWW.TRIS.CO.NZ)

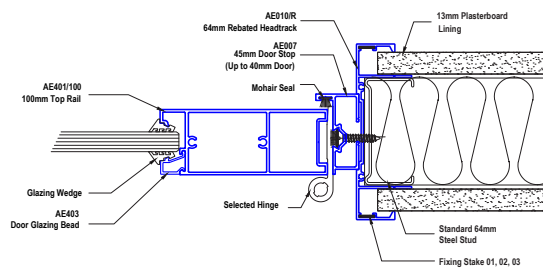
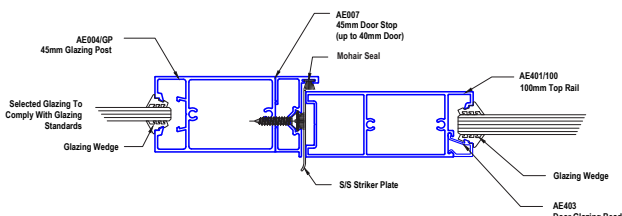
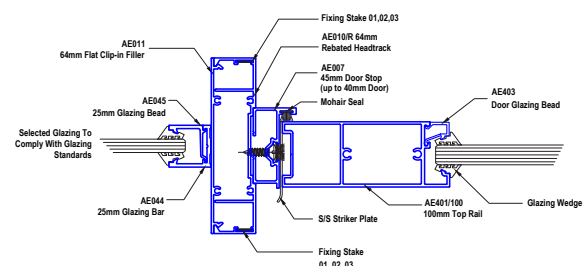
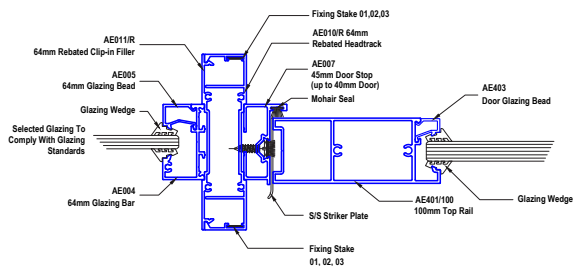
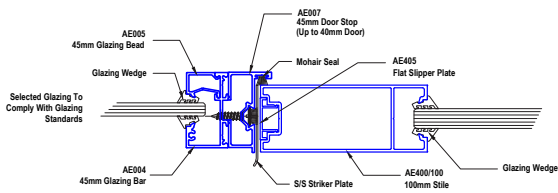
# ECLIPSE 45mm ALUMINIUM SUITE



**E45 - 12**  
45mm Door Head  
Section - 40mm Door



**E45 - 12**  
45mm Door Head  
Section - 50mm Door



**E45 - 13**  
40mm Door with  
45mm Sidelight Plan

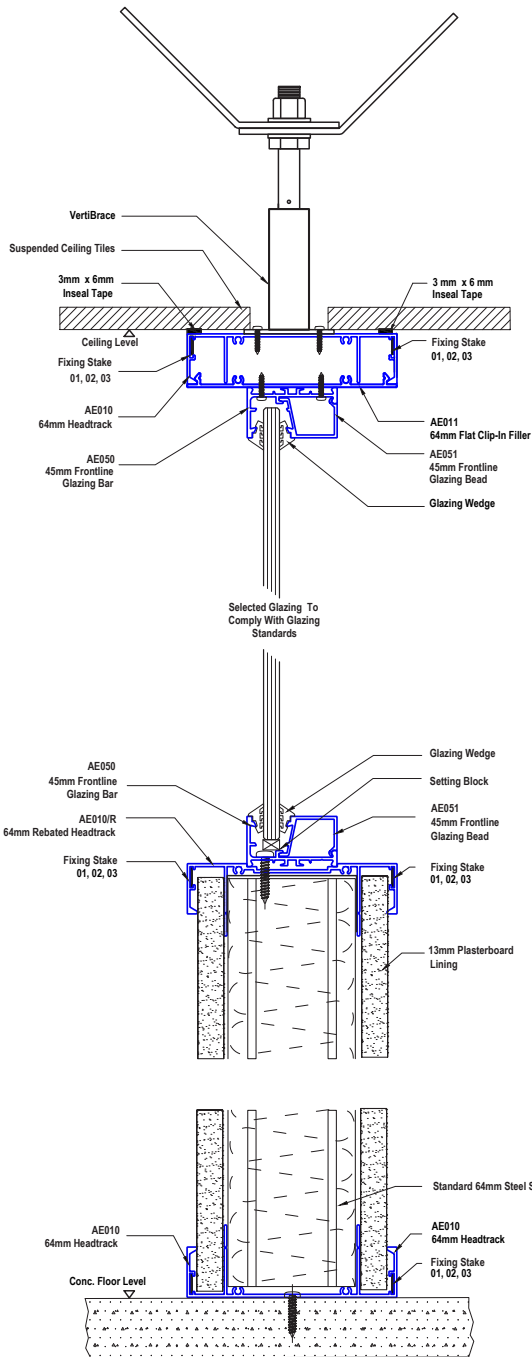
Please Note:

The door seal needs to be inserted before the 007 or 008 is screwed off.  
Doors can be - Solid Core, Hollow Core, Aluminium or Timber dependent on design needs.  
Aluminium only available in 40mm.

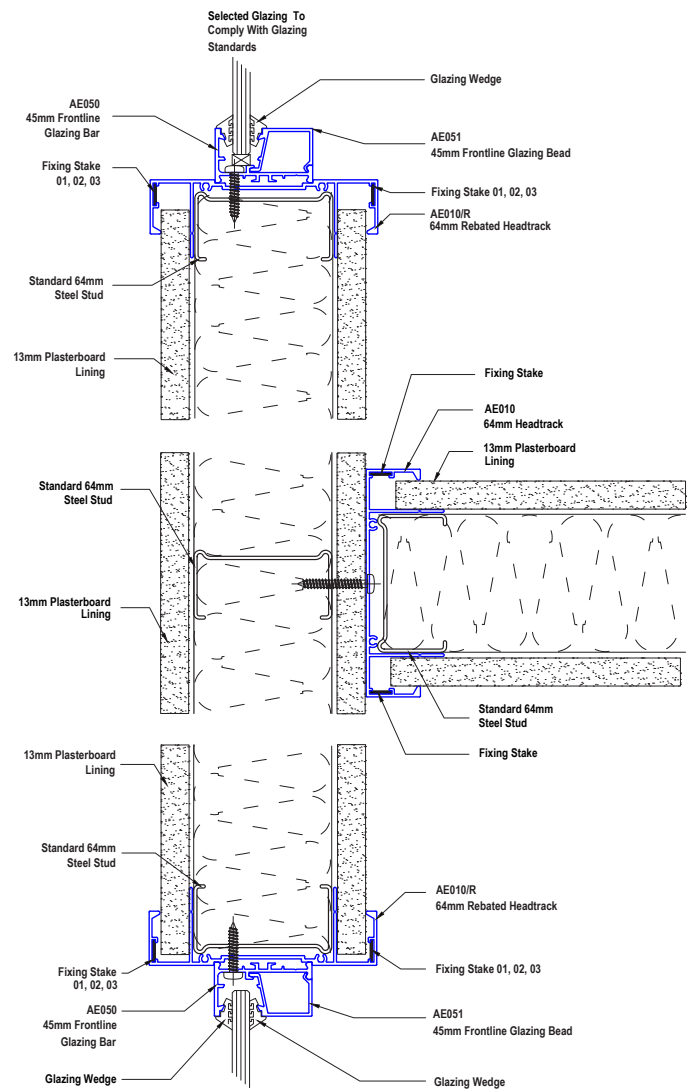
NOT TO SCALE. REFER DIMENSIONED PROFILES OR DOWNLOAD THE .DWG FILES FROM [WWW.TRIS.CO.NZ](http://WWW.TRIS.CO.NZ)



ECLIPSE 45mm FRONTLINE ALUMINIUM SUITE



**F45 - 03**  
Half Height 45mm  
Frontline Glazing Section

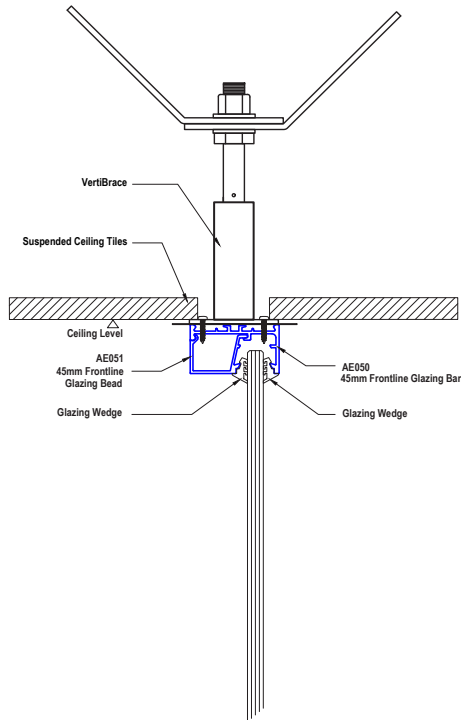


**F45 - 04**  
Plasterboard to 45mm  
Frontline Glazing Plan

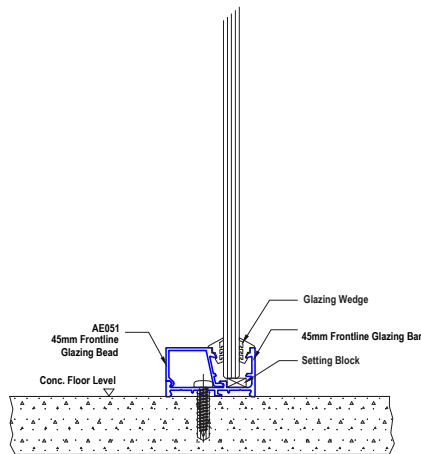
NOT TO SCALE. REFER DIMENSIONED PROFILES OR DOWNLOAD THE .DWG FILES FROM [WWW.TRIS.CO.NZ](http://WWW.TRIS.CO.NZ)



ECLIPSE 45mm FRONTLINE ALUMINIUM SUITE



Selected Glazing To Comply With Glazing Standards



**F45 - 05**  
45mm Frontline Full Height  
Glazing Section

NOT TO SCALE. REFER DIMENSIONED PROFILES OR DOWNLOAD THE .DWG FILES FROM [WWW.TRIS.CO.NZ](http://WWW.TRIS.CO.NZ)



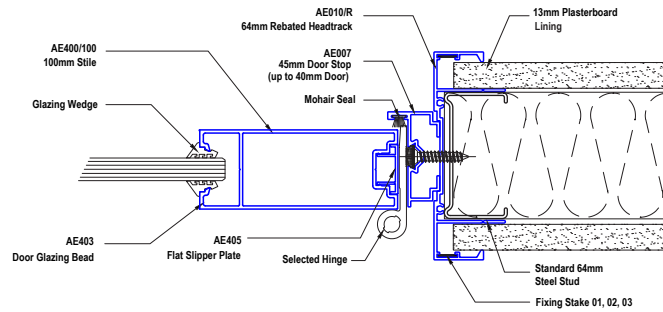
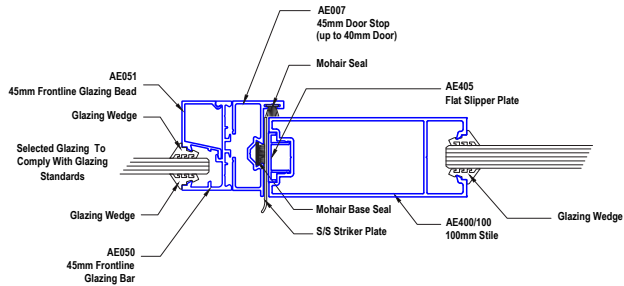
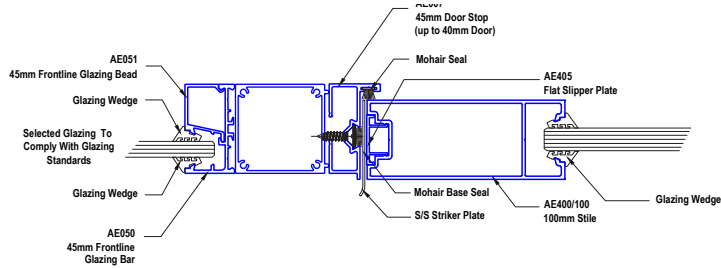
Detail variations found online.



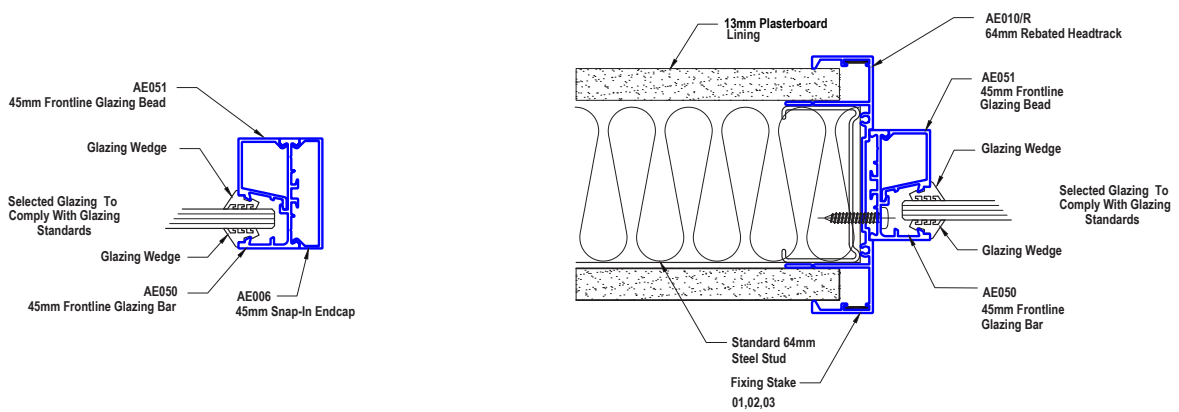
0800 666 556  
info@tris.co.nz  
www.tris.co.nz

**Frontline Details**

## ECLIPSE 45mm FRONTLINE ALUMINIUM SUITE



### F45 - 06 45mm Frontline Door Plan




### F45 - 07 45mm Frontline Glazing Termination Plan

Please note: The door seal needs to be inserted before the 007 or 008 is screwed off.

NOT TO SCALE. REFER DIMENSIONED PROFILES OR DOWNLOAD THE .DWG FILES FROM [WWW.TRIS.CO.NZ](http://WWW.TRIS.CO.NZ)







# Eclipse 64mm Aluminium Suite

ABOVE YOUR SPACE, BILLEN  
Eclipse 64mm Aluminium Suite.



## ECLIPSE 64mm

- Robust multi-purpose Suite
- Incorporates double glazing
- Double Glazing Suite acoustically tested to achieve <STC48
- Allows raking mullions
- Widely used in commercial fit-outs
- Suitable for use in education spaces

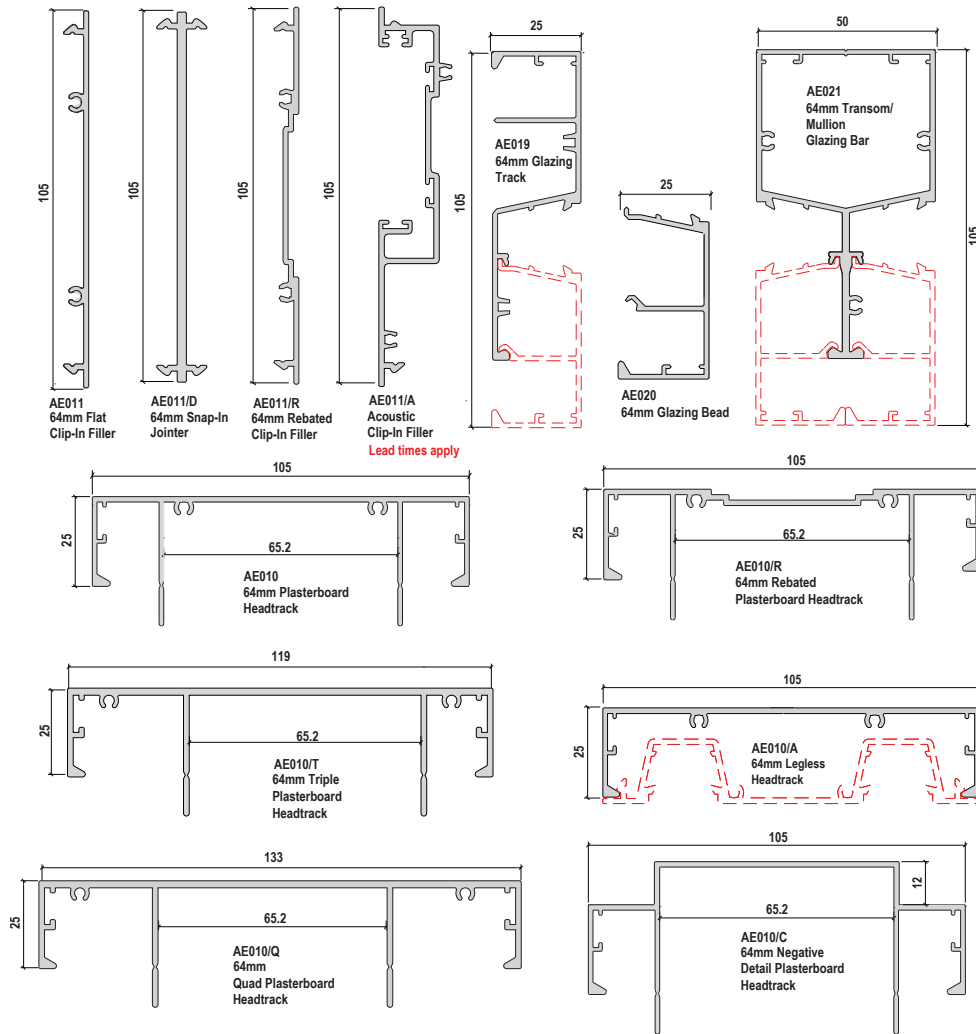
### Finishing options:

Eclipse Aluminium Suite is available anodised or powdercoated, including MetWood timber finishes. Can accept glass up to 12.38mm.



RAYONIER, AUCKLAND  
Eclipse 64mm Aluminium Suite

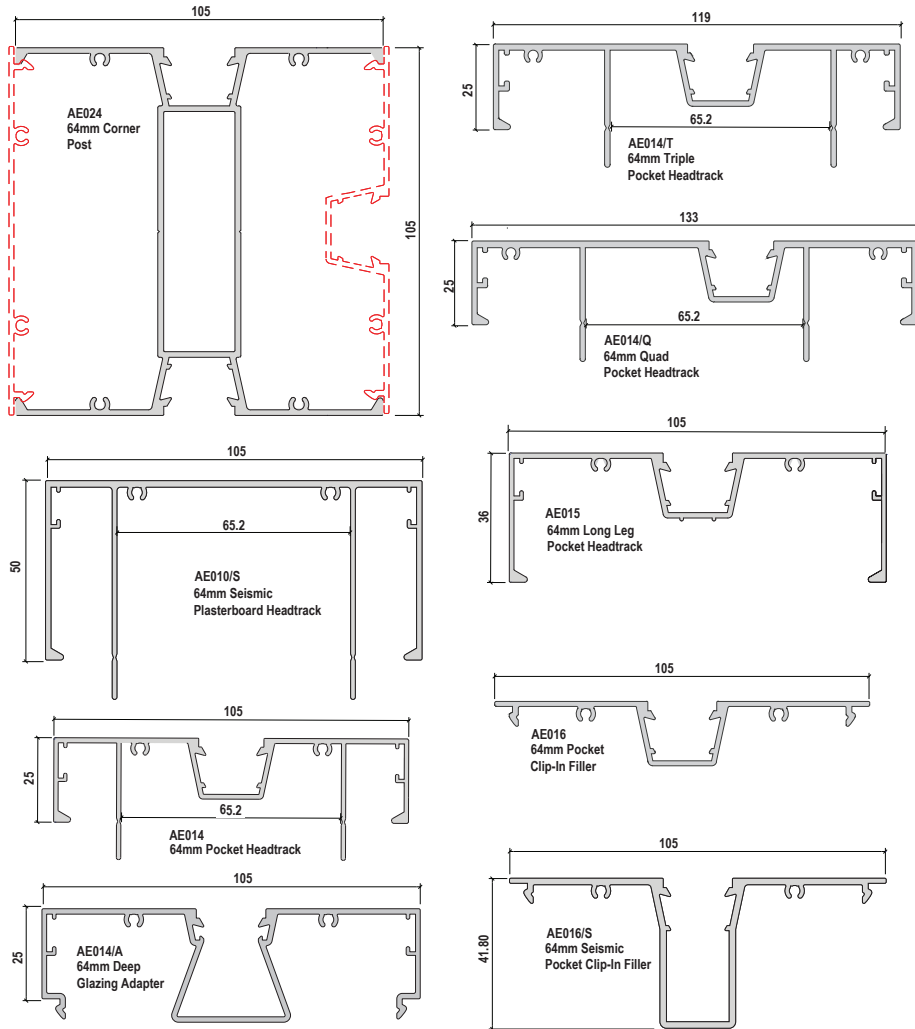
# ECLIPSE 64mm ALUMINIUM SUITE



## 64mm PROFILES

NOT TO SCALE. REFER DIMENSIONED PROFILES OR DOWNLOAD THE .DWG FILES FROM [WWW.TRIS.CO.NZ](http://WWW.TRIS.CO.NZ)

# ECLIPSE 64mm ALUMINIUM SUITE



## 64mm PROFILES

NOT TO SCALE. REFER DIMENSIONED PROFILES OR DOWNLOAD THE .DWG FILES FROM [WWW.TRIS.CO.NZ](http://WWW.TRIS.CO.NZ)



0800 666 556  
info@tris.co.nz  
www.tris.co.nz

**E64 - 02 Profiles**

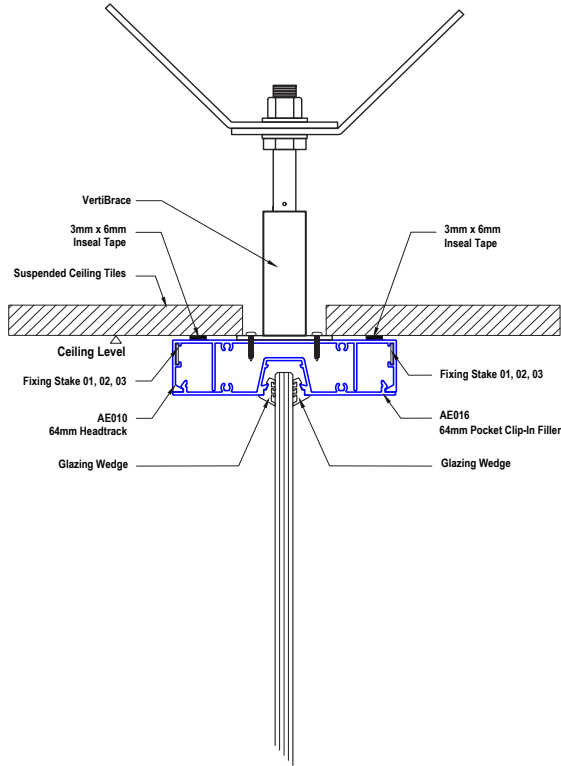
ECLIPSE 64mm ALUMINIUM SUITE



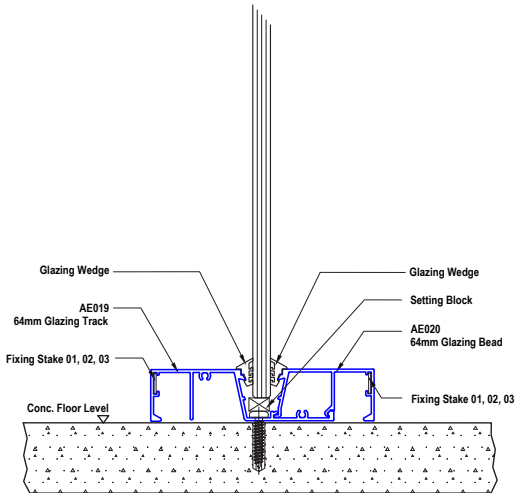
NOT TO SCALE. REFER DIMENSIONED PROFILES OR DOWNLOAD THE .DWG FILES FROM [WWW.TRIS.CO.NZ](http://WWW.TRIS.CO.NZ)



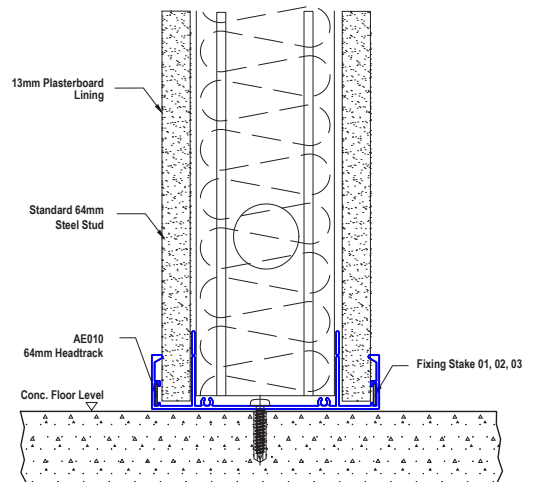
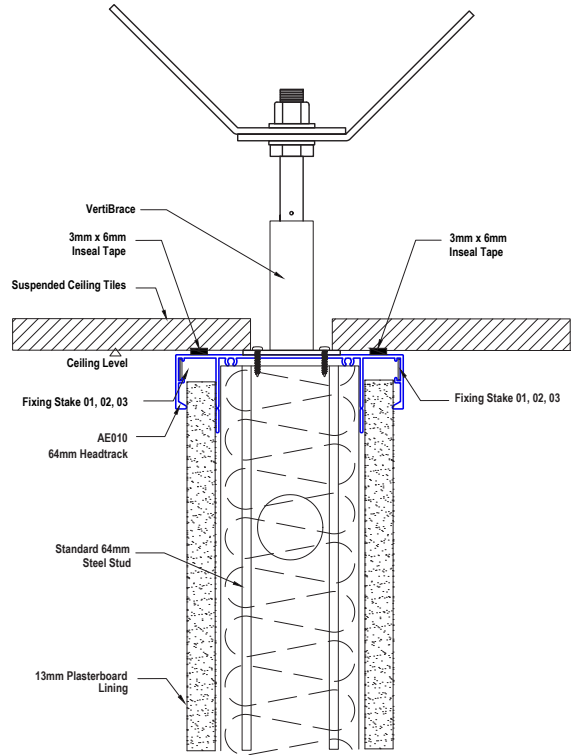
ECLIPSE 64mm ALUMINIUM SUITE



Selected Glazing To Comply With Glazing Standards



**E64 - 03**  
64mm Glazing Section

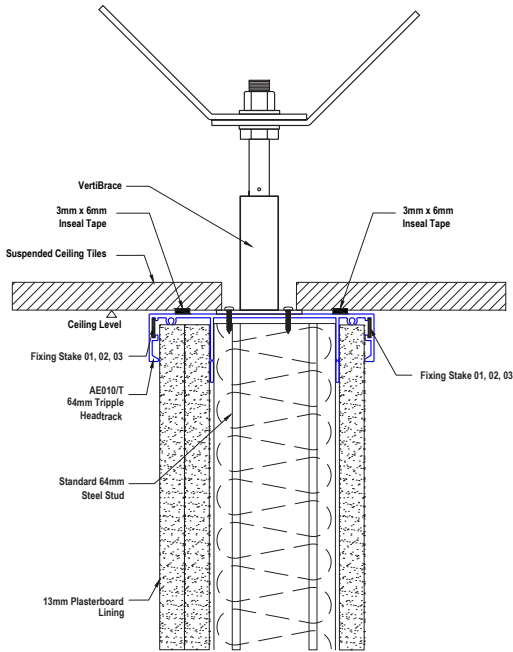


**E64 - 04**  
Standard 64mm  
Wall Section

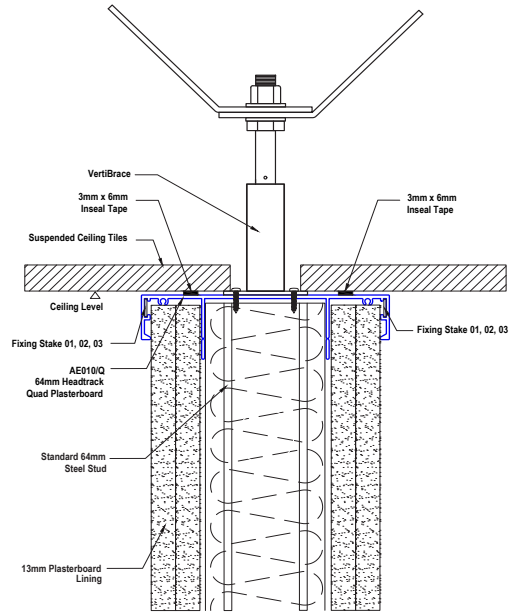
NOT TO SCALE. REFER DIMENSIONED PROFILES OR DOWNLOAD THE .DWG FILES FROM [WWW.TRIS.CO.NZ](http://WWW.TRIS.CO.NZ)



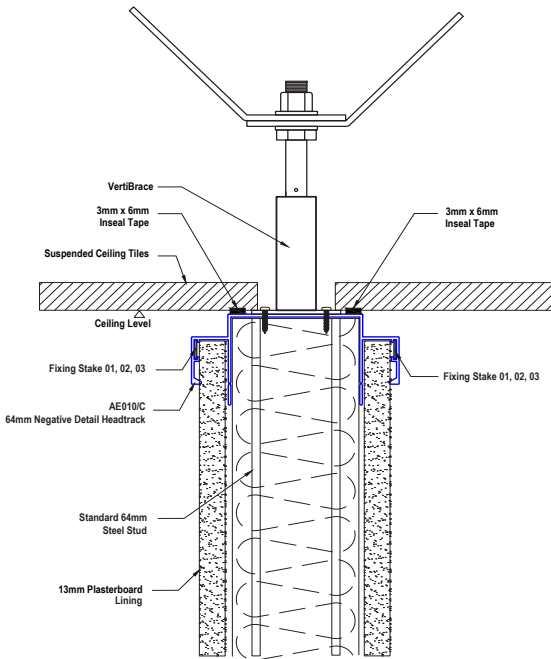
ECLIPSE 64mm ALUMINIUM SUITE



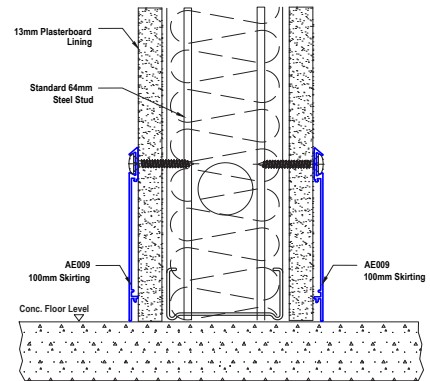
**E64 - 04/T**  
64mm Wall with Triple Plasterboard



**E64 - 04/Q**  
64mm Wall with Quad Plasterboard



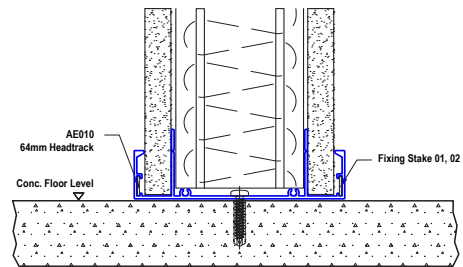
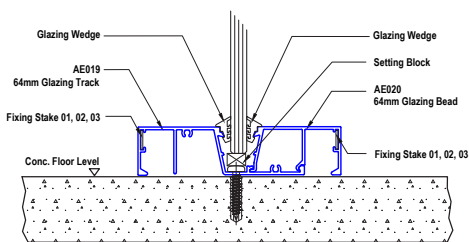
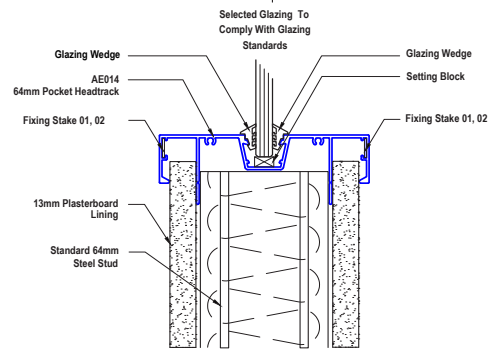
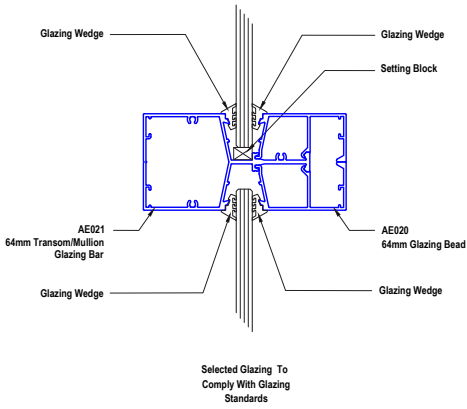
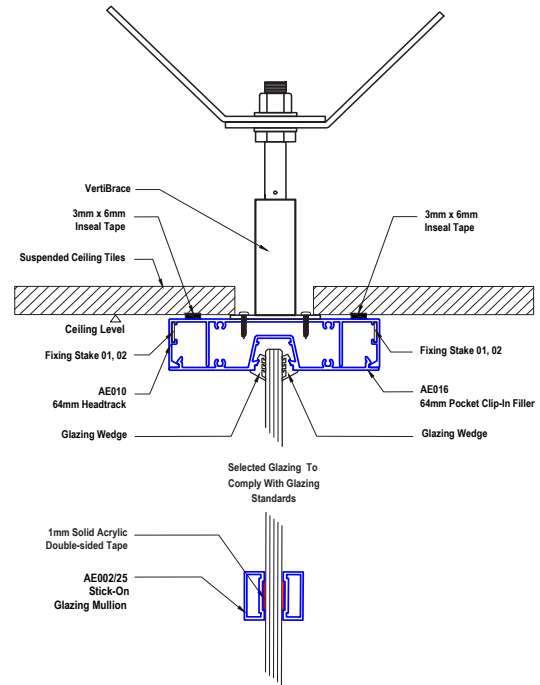
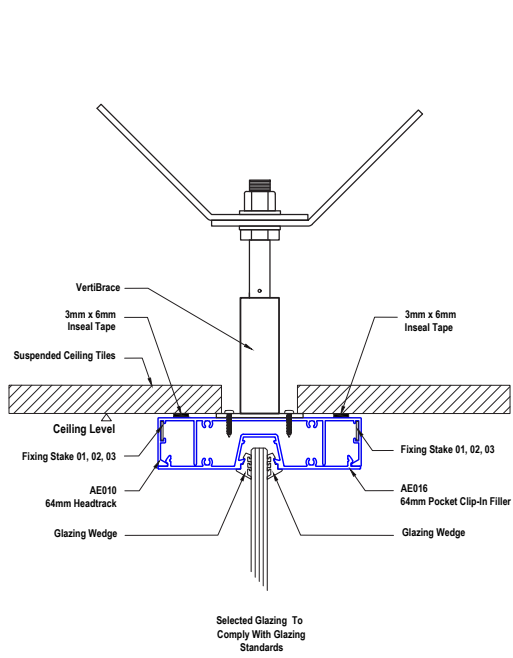
**E64 - 05**  
64mm Negative Detail Headtrack Section



**E64 - 06**  
64mm Wall with 100mm Skirting Section

NOT TO SCALE. REFER DIMENSIONED PROFILES OR DOWNLOAD THE .DWG FILES FROM [WWW.TRIS.CO.NZ](http://WWW.TRIS.CO.NZ)

ECLIPSE 64mm ALUMINIUM SUITE



**E64 - 07**  
64mm Transom  
Glazing Section

**E64 - 08**  
64mm Glazing and Plasterboard  
Wall Section

NOT TO SCALE. REFER DIMENSIONED PROFILES OR DOWNLOAD THE .DWG FILES FROM [WWW.TRIS.CO.NZ](http://WWW.TRIS.CO.NZ)



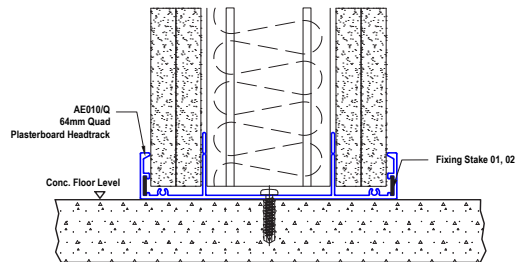
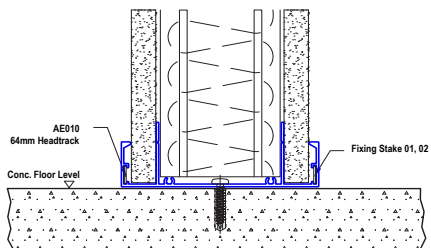
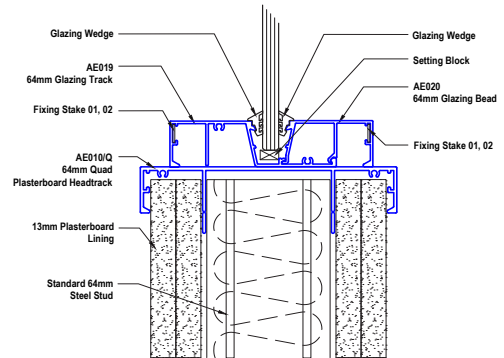
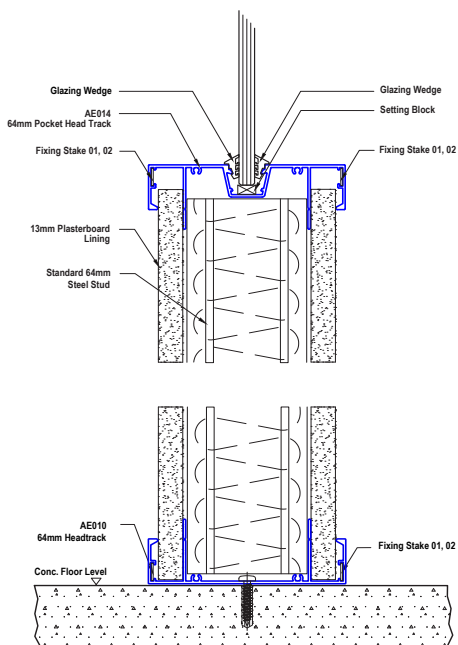
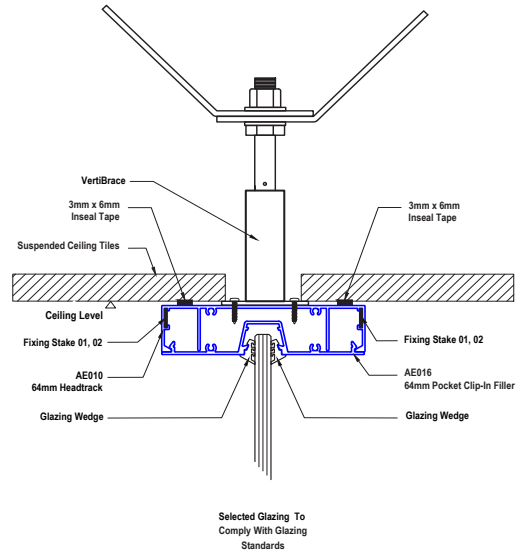
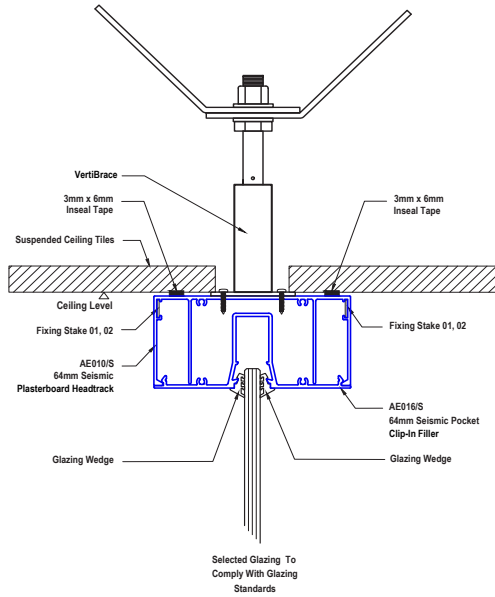
Detail variations  
found online.



0800 666 556  
info@tris.co.nz  
www.tris.co.nz

**Wall Details**

ECLIPSE 64mm ALUMINIUM SUITE



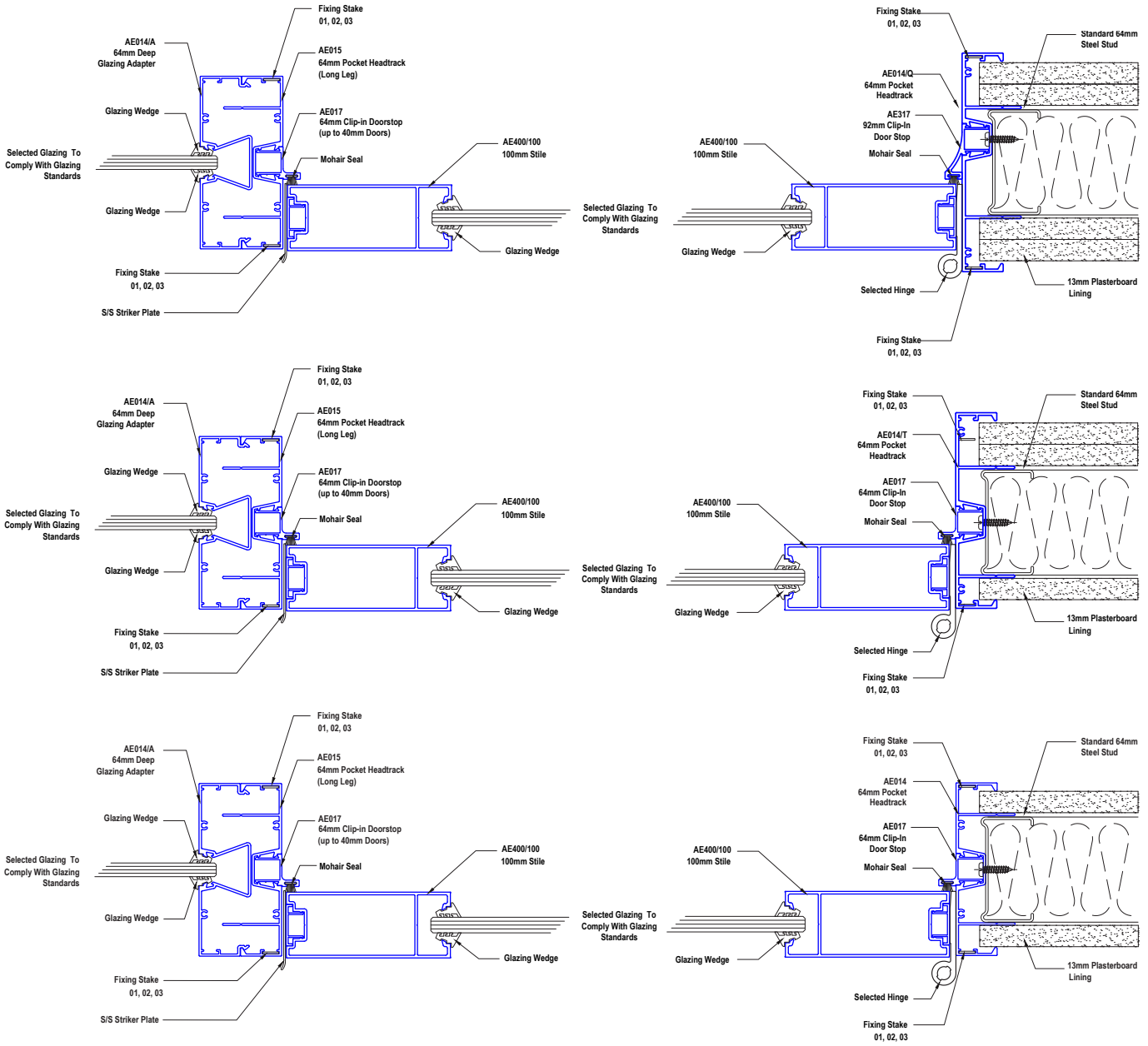
**E64 - 08/B**  
64mm Seismic Pocket  
Glazing Section

**E64 - 08/Q**  
64mm Partial Height Glazing with  
Quad Plasterboard Section

NOT TO SCALE. REFER DIMENSIONED PROFILES OR DOWNLOAD THE .DWG FILES FROM [WWW.TRIS.CO.NZ](http://WWW.TRIS.CO.NZ)



# ECLIPSE 64mm ALUMINIUM SUITE



## E64 - 09 Door Plan 40mm

Please Note:  
 All doors available with 80mm, 100mm and 120mm stiles. See details online.  
 NOT TO SCALE. REFER DIMENSIONED PROFILES OR DOWNLOAD THE .DWG FILES FROM [WWW.TRIS.CO.NZ](http://WWW.TRIS.CO.NZ)



Detail variations  
found online.

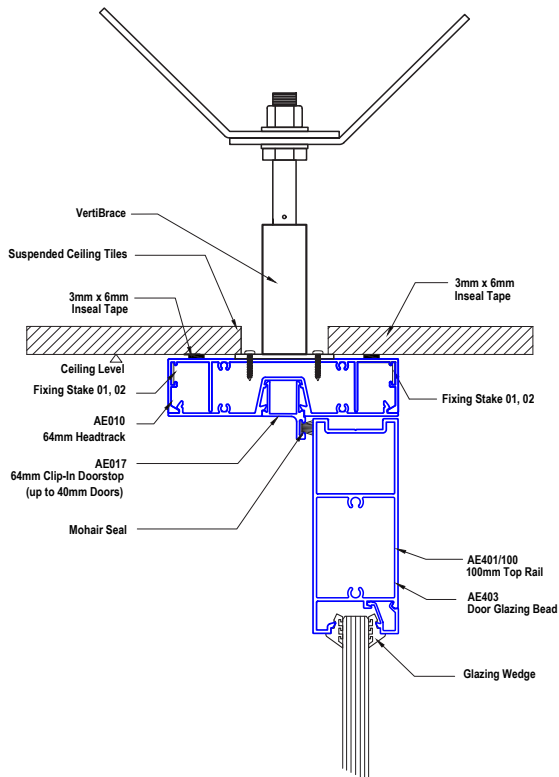


0800 666 556  
 info@tris.co.nz  
 www.tris.co.nz

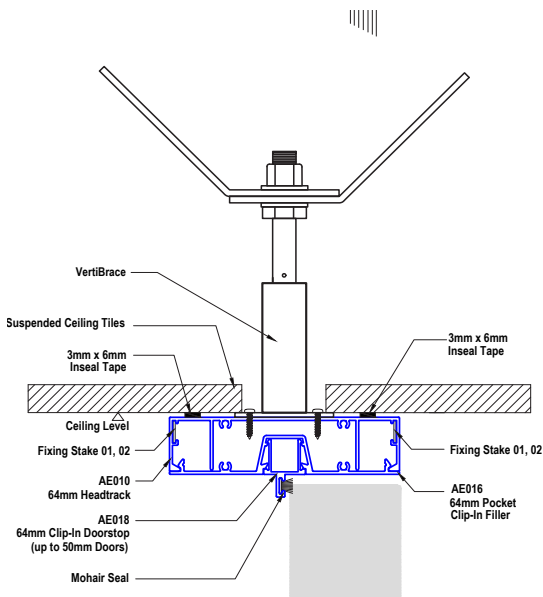
**64mm Door and  
Sidelight Detail**



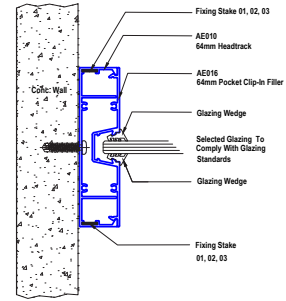
ECLIPSE 64mm ALUMINIUM SUITE



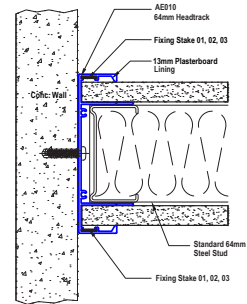
**E64 - 11**  
64mm Door Head  
Section - 40mm Door



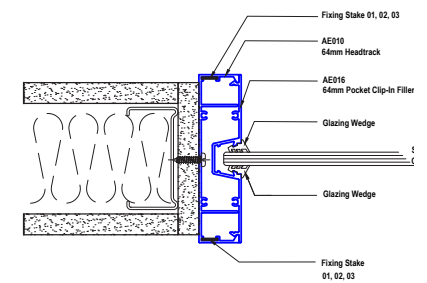
**E64 - 11**  
64mm Door Head  
Section - 50mm Door



**E64 - 12**  
64mm Glazing Termination  
Plan



**E64 - 12**  
Wall Termination  
Plan



**E64 - 12**  
Wall Termination  
Plan

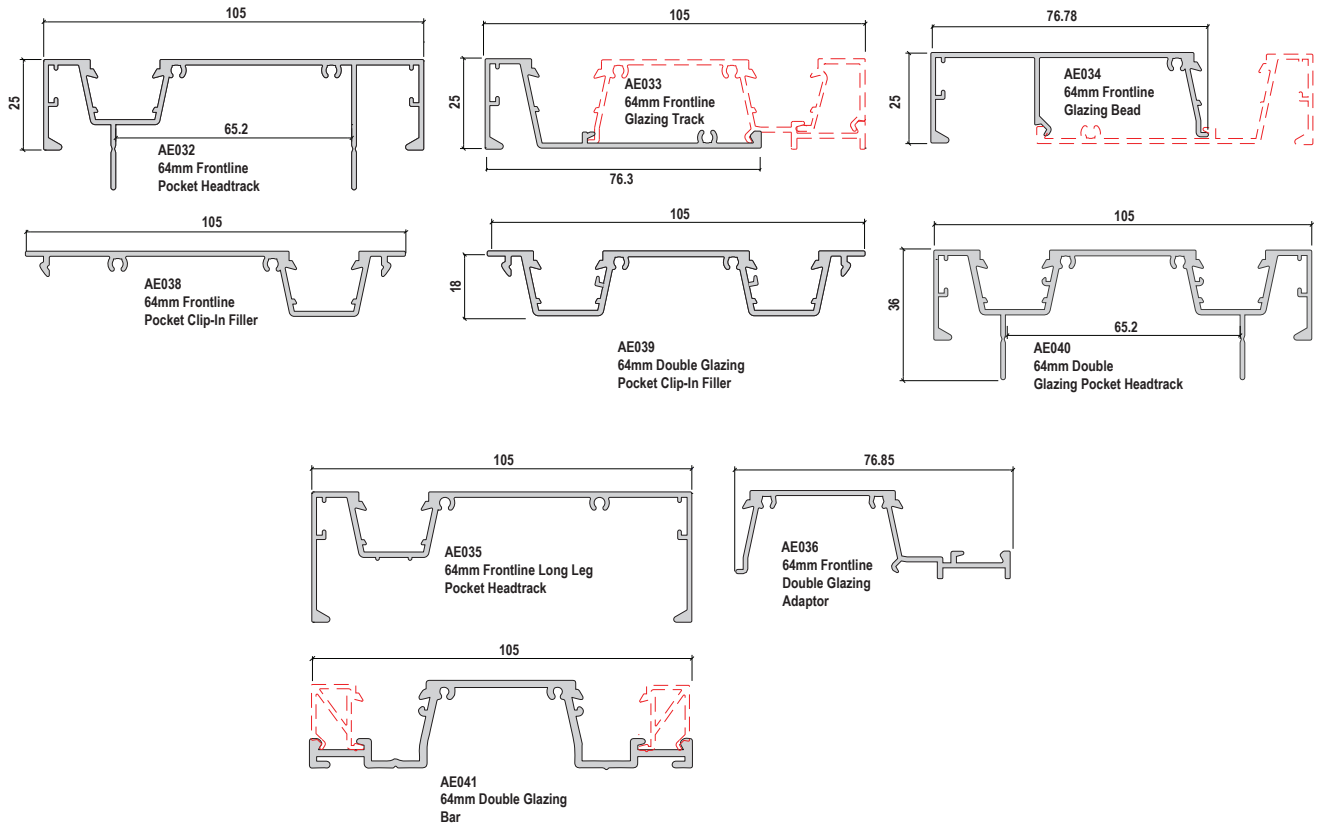
Please Note:

All doors available with 80mm, 100mm and 120mm stiles. See details online.

NOT TO SCALE. REFER DIMENSIONED PROFILES OR DOWNLOAD THE .DWG FILES FROM [WWW.TRIS.CO.NZ](http://WWW.TRIS.CO.NZ)



ECLIPSE 64mm DOUBLE GLAZING AND FRONTLINE ALUMINIUM SUITE

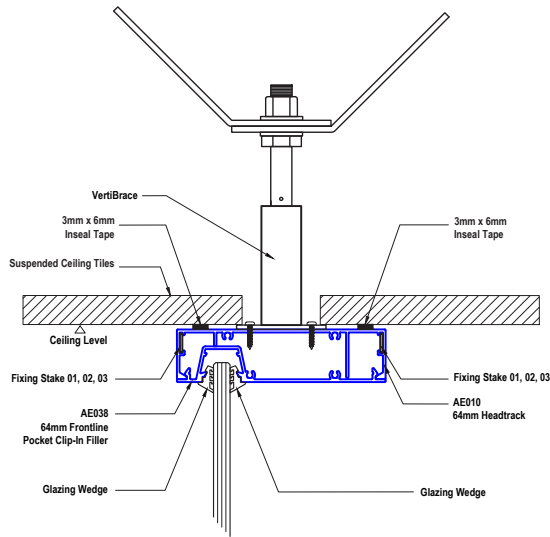


64mm DOUBLE GLAZING AND FRONTLINE PROFILES

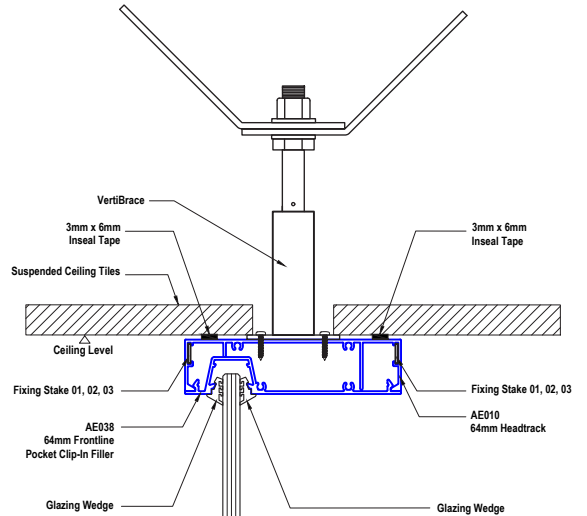
NOT TO SCALE. REFER DIMENSIONED PROFILES OR DOWNLOAD THE .DWG FILES FROM [WWW.TRIS.CO.NZ](http://WWW.TRIS.CO.NZ)



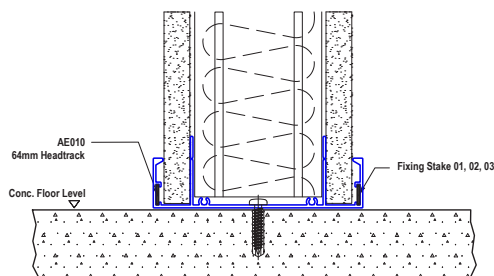
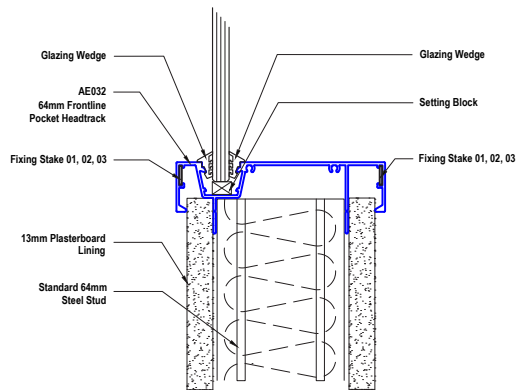
ECLIPSE 64mm DOUBLE GLAZING AND FRONTLINE ALUMINIUM SUITE



Selected Glazing To Comply With Glazing Standards



Selected Glazing To Comply With Glazing Standards



**F64 - 03**  
64mm Frontline Half Height  
Glazing Section

**F64 - 04**  
64mm Frontline  
Full Height Glazing  
Section

NOT TO SCALE. REFER DIMENSIONED PROFILES OR DOWNLOAD THE .DWG FILES FROM [WWW.TRIS.CO.NZ](http://WWW.TRIS.CO.NZ)

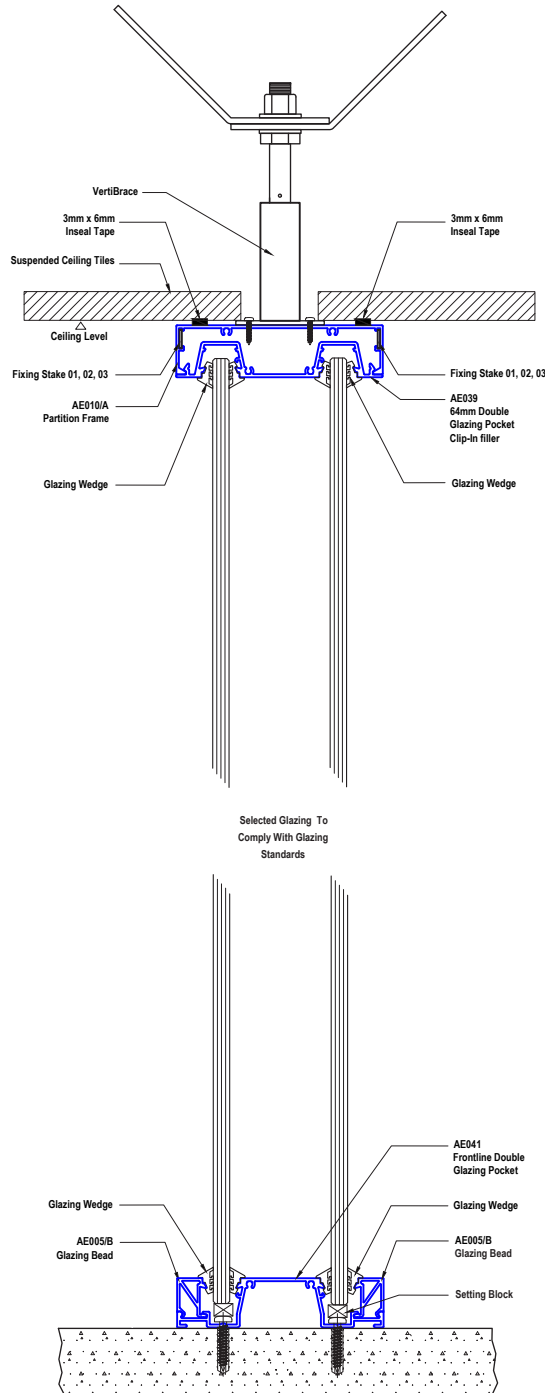


Detail variations  
found online.



0800 666 556  
info@tris.co.nz  
www.tris.co.nz

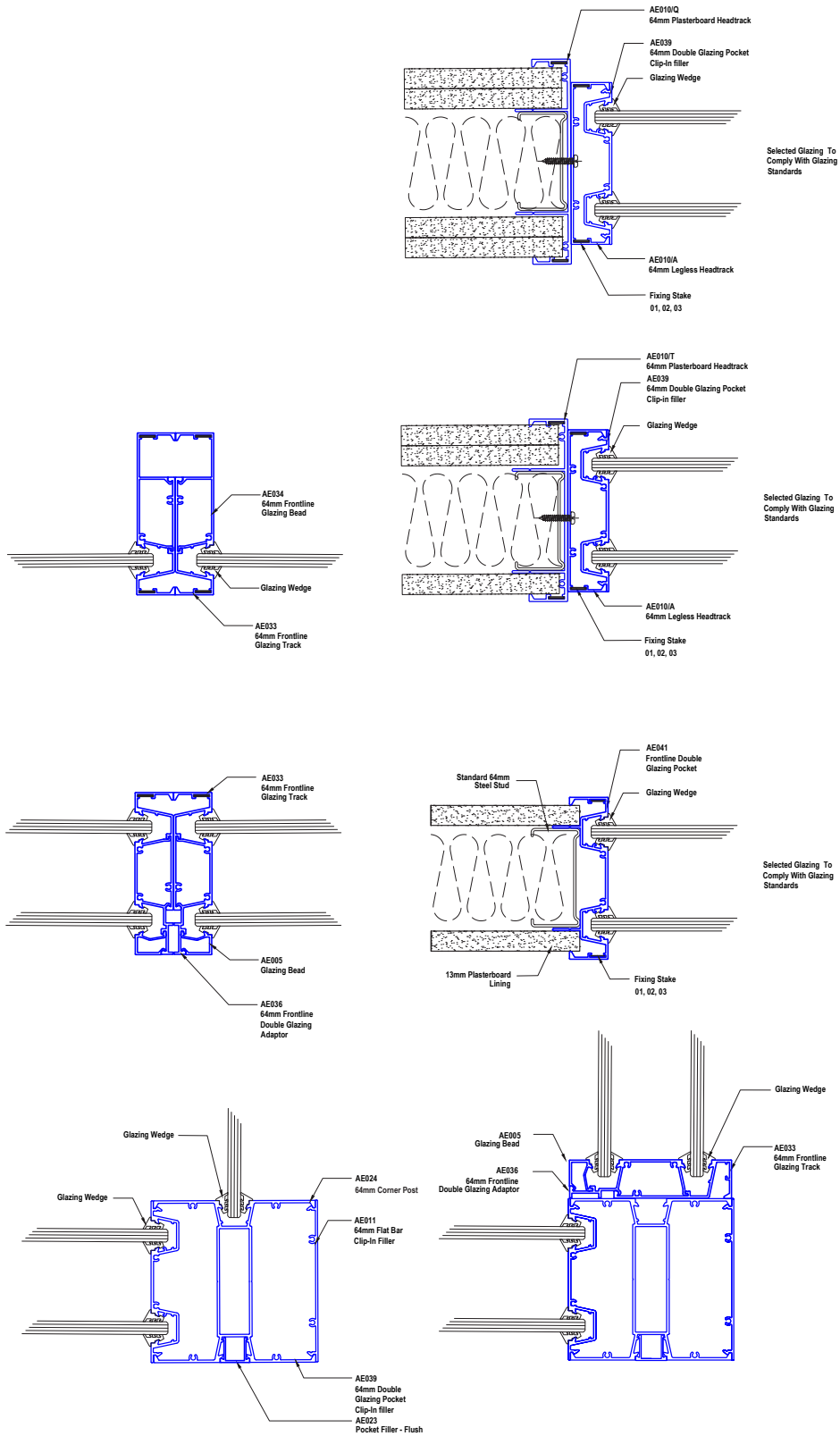
**64mm Frontline  
Glazing Sections**



**F64 - 05**  
64mm Double Glazing  
Section

NOT TO SCALE. REFER DIMENSIONED PROFILES OR DOWNLOAD THE .DWG FILES FROM [WWW.TRIS.CO.NZ](http://WWW.TRIS.CO.NZ)

# ECLIPSE 64mm DOUBLE GLAZING AND FRONTLINE ALUMINIUM SUITE



## F64 - 06 64mm Frontline and Double Glazing Plans

NOT TO SCALE. REFER DIMENSIONED PROFILES OR DOWNLOAD THE .DWG FILES FROM [WWW.TRIS.CO.NZ](http://WWW.TRIS.CO.NZ)



Detail variations  
found online.



# Eclipse 92mm Aluminium Suite





## ECLIPSE 92mm

- Robust and sturdy appearance, a sense of solidity in the larger sections
- Clean lines
- Allows for superior STC performance
- Ideal for expansive interior spaces
- Allows for raking mullions
- Suitable for heavy and larger aluminium sliding doors

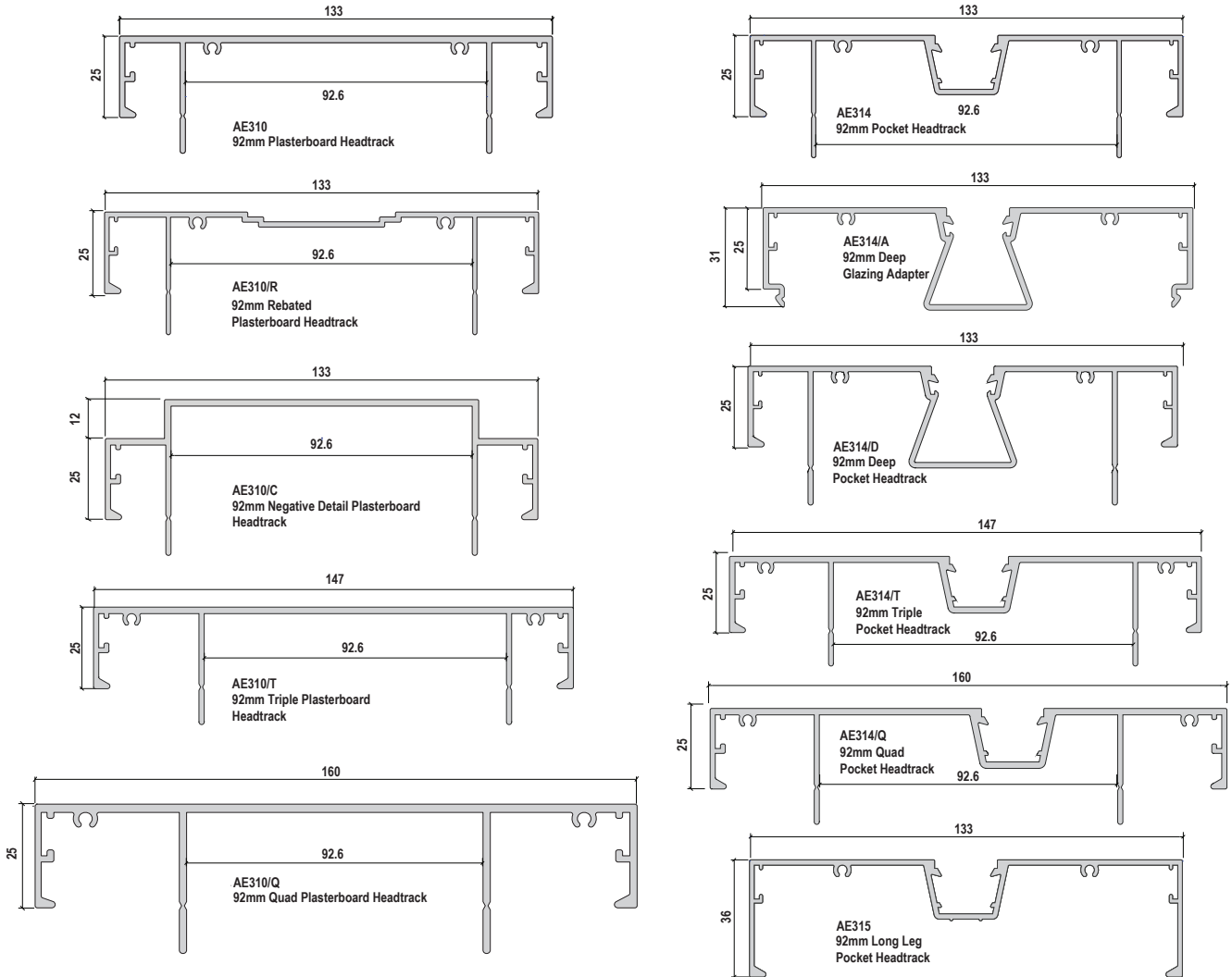
### Finishing options:

Eclipse Aluminium Suite is available anodised or powdercoated, including MetWood timber finishes. Can accept glass up to 12.38mm.



AWLY HOUSE  
Eclipse 92mm Aluminium Suite

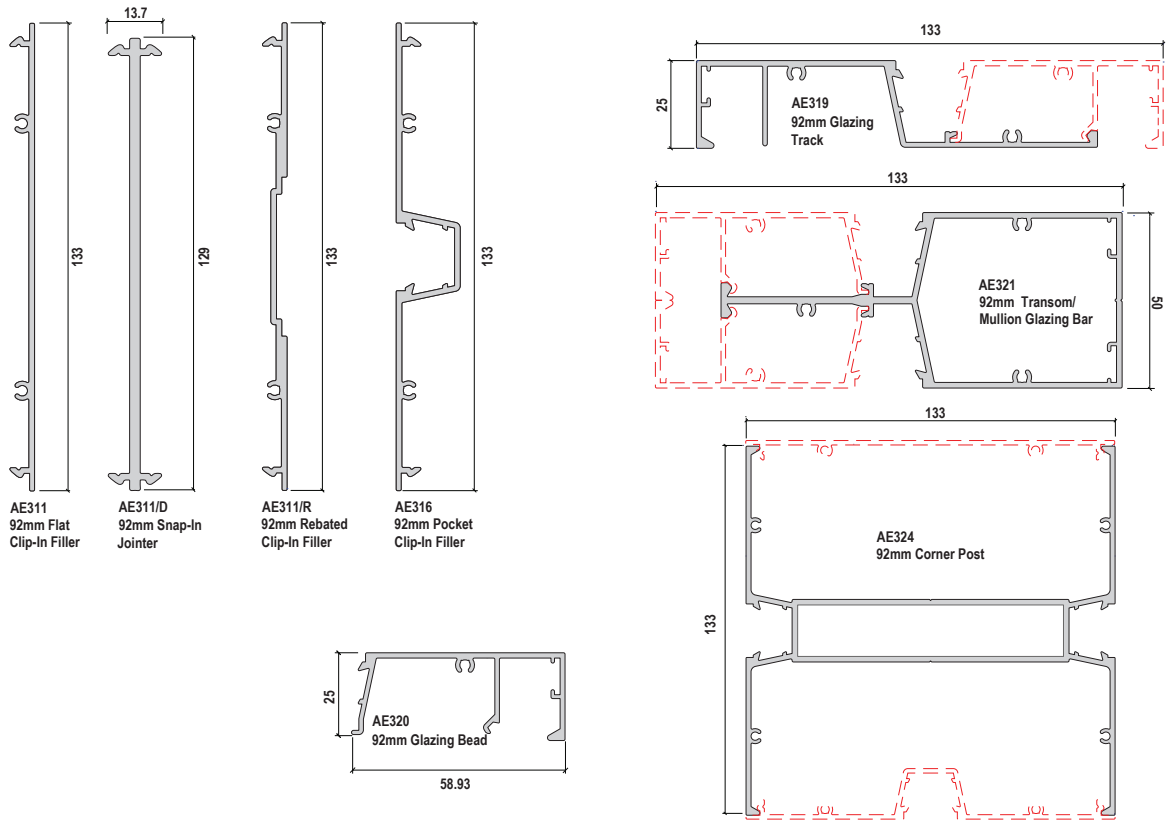
ECLIPSE 92mm ALUMINIUM SUITE



92mm DOUBLE GLAZING AND FRONTLINE PROFILES

NOT TO SCALE. REFER DIMENSIONED PROFILES OR DOWNLOAD THE .DWG FILES FROM [WWW.TRIS.CO.NZ](http://WWW.TRIS.CO.NZ)

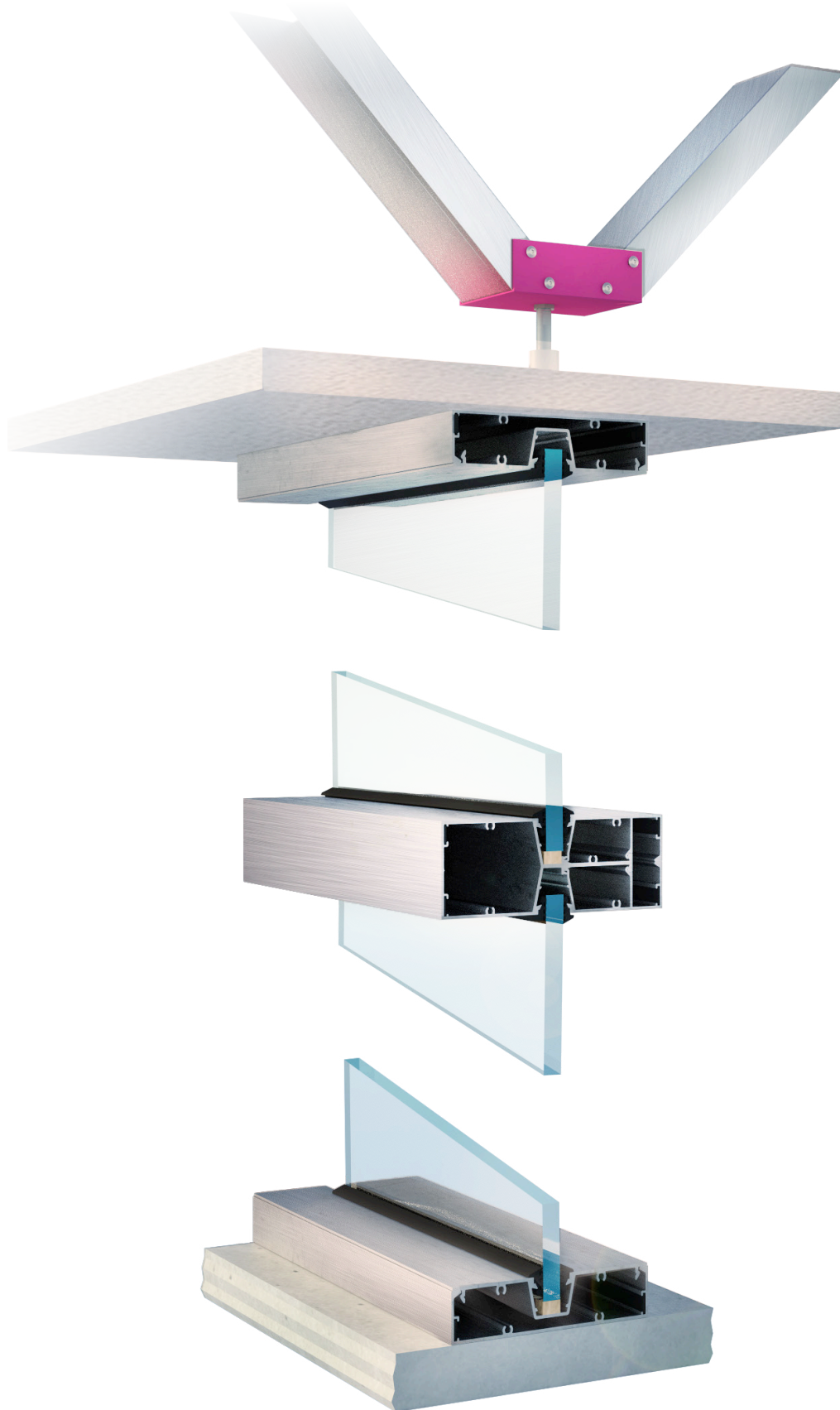
ECLIPSE 92mm ALUMINIUM SUITE



92mm DOUBLE GLAZING AND FRONTLINE PROFILES

NOT TO SCALE. REFER DIMENSIONED PROFILES OR DOWNLOAD THE .DWG FILES FROM [WWW.TRIS.CO.NZ](http://WWW.TRIS.CO.NZ)

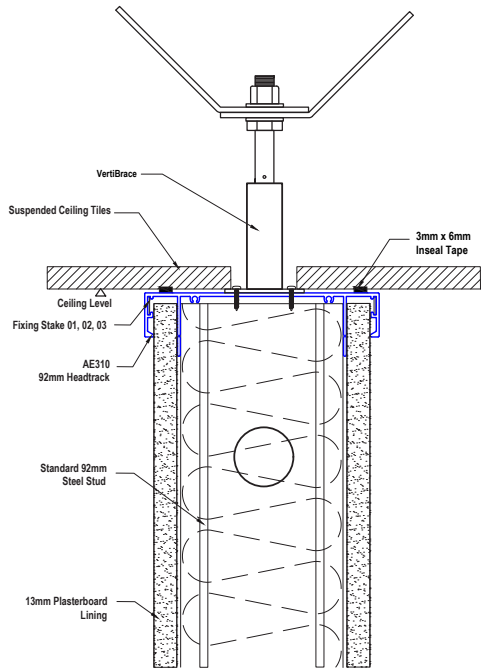
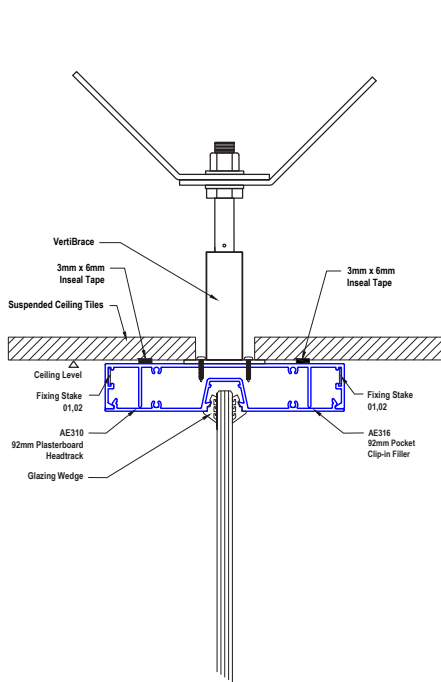
ECLIPSE 92mm ALUMINIUM SUITE



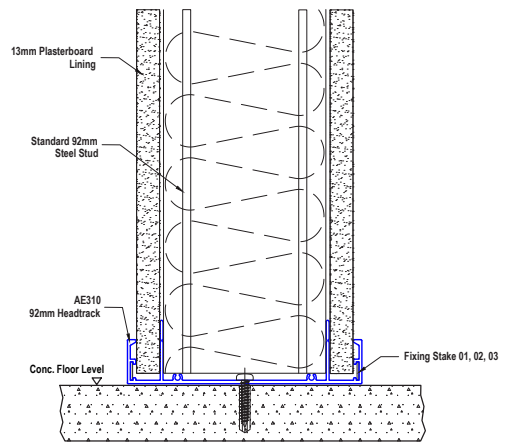
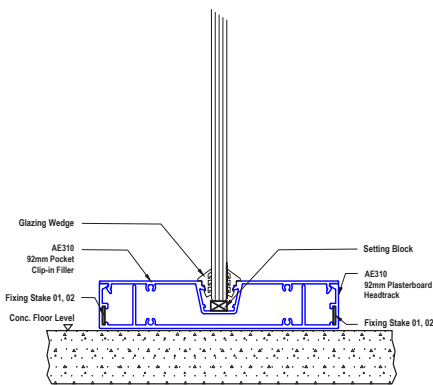
NOT TO SCALE. REFER DIMENSIONED PROFILES OR DOWNLOAD THE .DWG FILES FROM [WWW.TRIS.CO.NZ](http://WWW.TRIS.CO.NZ)



ECLIPSE 92mm ALUMINIUM SUITE



Selected Glazing To Comply With Glazing Standards



**E92 - 03**  
92mm Glazing Section

**E92 - 04**  
92mm Standard Wall Section  
Triple and Quad options available online.

Please Note: Additional wall details available online.

NOT TO SCALE. REFER DIMENSIONED PROFILES OR DOWNLOAD THE .DWG FILES FROM [WWW.TRIS.CO.NZ](http://WWW.TRIS.CO.NZ)



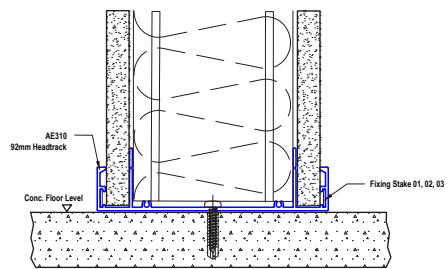
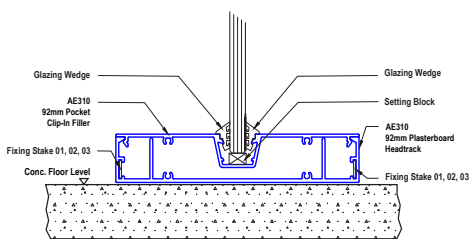
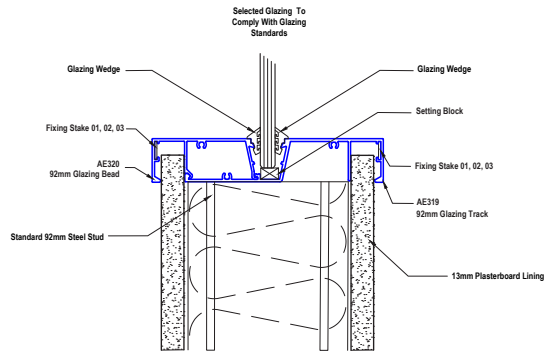
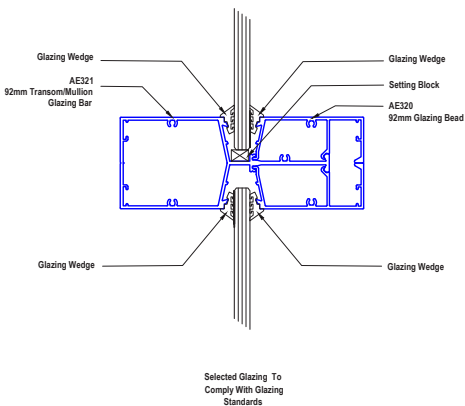
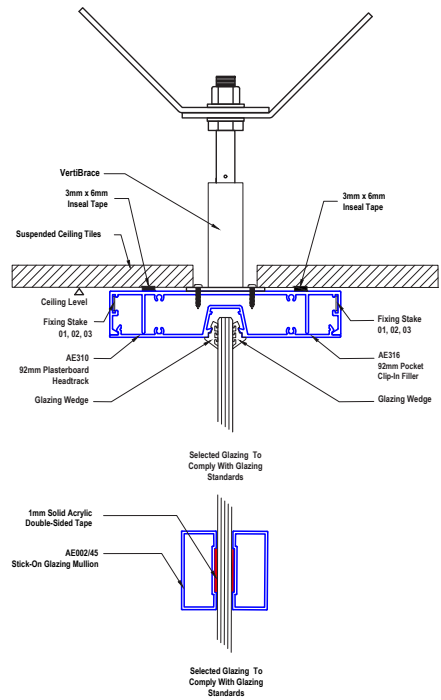
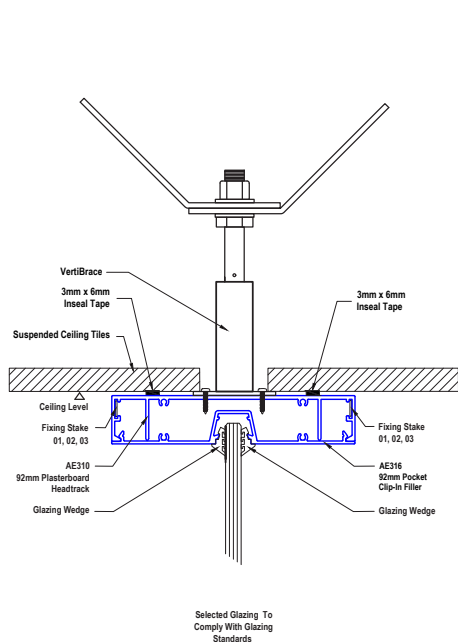
Detail variations found online.



0800 666 556  
info@tris.co.nz  
www.tris.co.nz

**Wall Section Details**

ECLIPSE 92mm ALUMINIUM SUITE



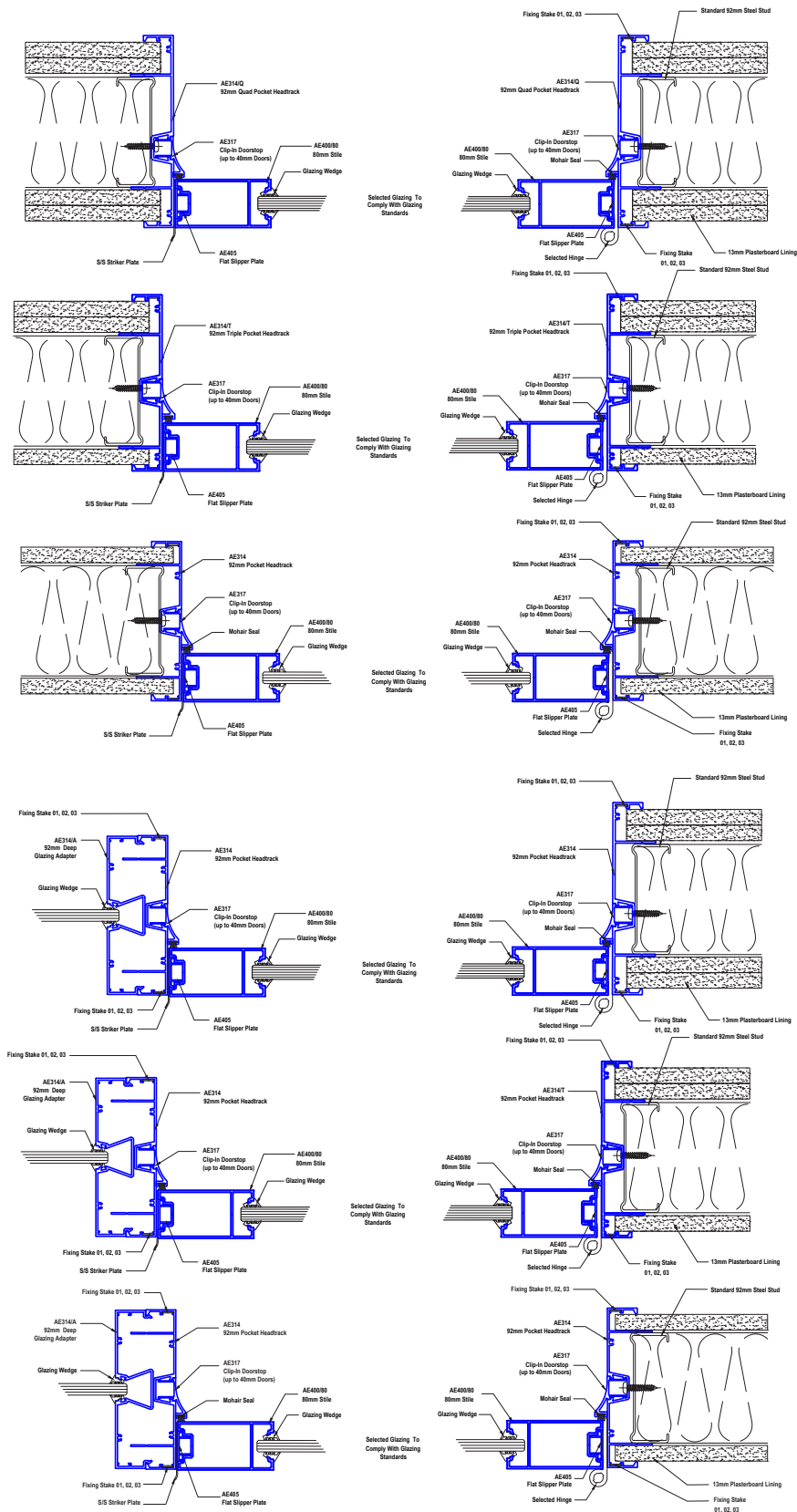
**E92 - 07**  
92mm Glazing with  
Transom Section

**E92 - 08**  
92mm Glazing and  
Plasterboard Wall Section

Please Note: Additional wall details available online.

NOT TO SCALE. REFER DIMENSIONED PROFILES OR DOWNLOAD THE .DWG FILES FROM [WWW.TRIS.CO.NZ](http://WWW.TRIS.CO.NZ)

# ECLIPSE 92mm ALUMINIUM SUITE



## E92 - 09

Door Plan 40mm

100mm and 120mm options available online.

NOT TO SCALE. REFER DIMENSIONED PROFILES OR DOWNLOAD THE .DWG FILES FROM [WWW.TRIS.CO.NZ](http://WWW.TRIS.CO.NZ)



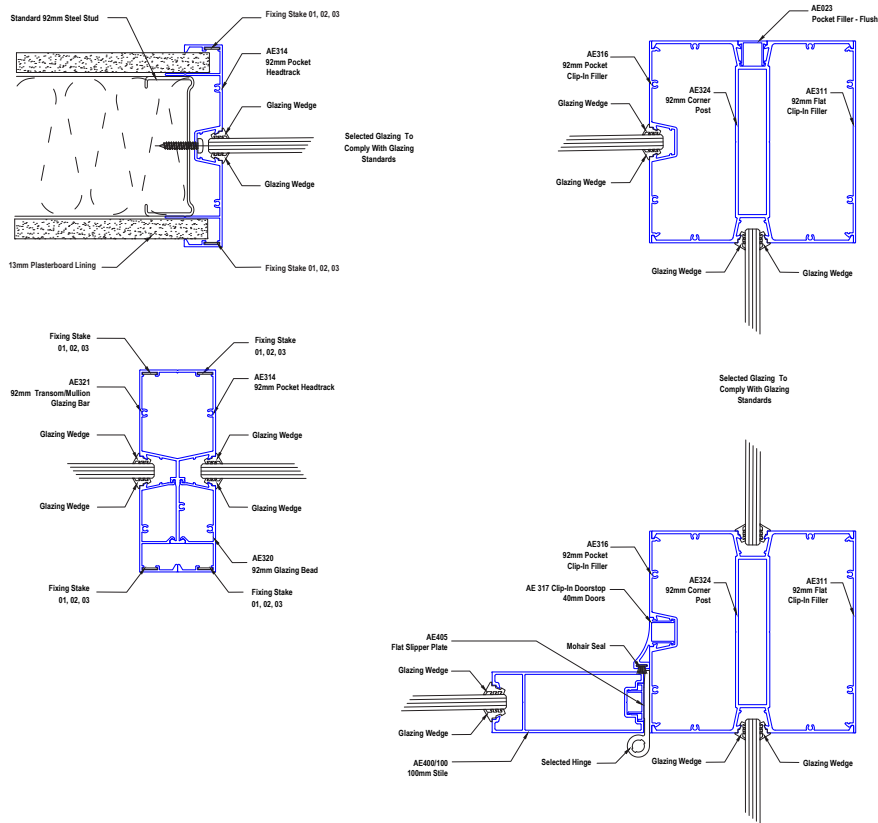
Detail variations found online.



0800 666 556  
info@tris.co.nz  
www.tris.co.nz

**Door with Sidelight Plan**

# ECLIPSE 92mm ALUMINIUM SUITE

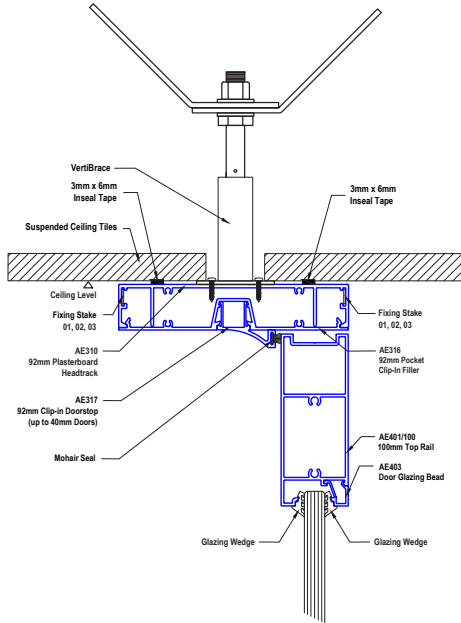


## E92 - 10 92mm Post and Mullion Glazing Plan

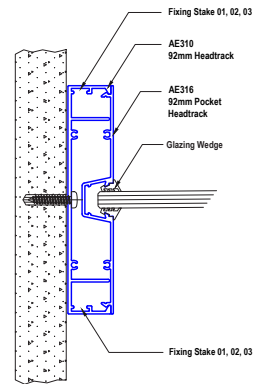
NOT TO SCALE. REFER DIMENSIONED PROFILES OR DOWNLOAD THE .DWG FILES FROM [WWW.TRIS.CO.NZ](http://WWW.TRIS.CO.NZ)



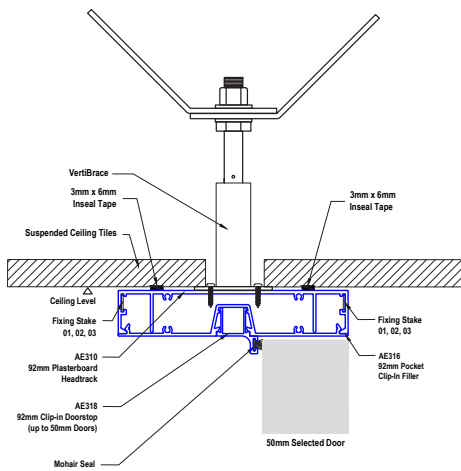
ECLIPSE 92mm ALUMINIUM SUITE



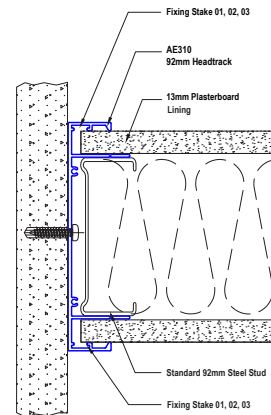
**E92 - 11**  
92mm Door Head  
Section - 40mm Door



**E92 - 12**  
92mm Termination  
Plan



**E92 - 11**  
92mm Door Head  
Section - 50mm Door



**E92 - 12**  
92mm Termination  
Plan

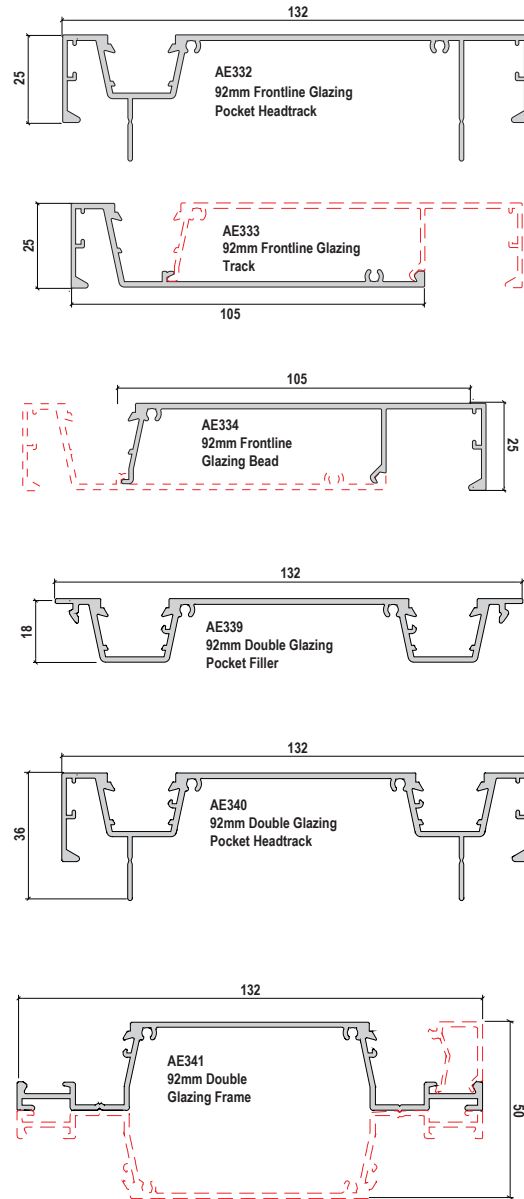
Please Note: Doors can be - Solid Core, Hollow Core, Aluminium or Timber dependant on design needs. Aluminium only available in 40mm.

Please Note: All doors available with 80mm, 100mm and 120mm stiles. See details online.

NOT TO SCALE. REFER DIMENSIONED PROFILES OR DOWNLOAD THE .DWG FILES FROM [WWW.TRIS.CO.NZ](http://WWW.TRIS.CO.NZ)



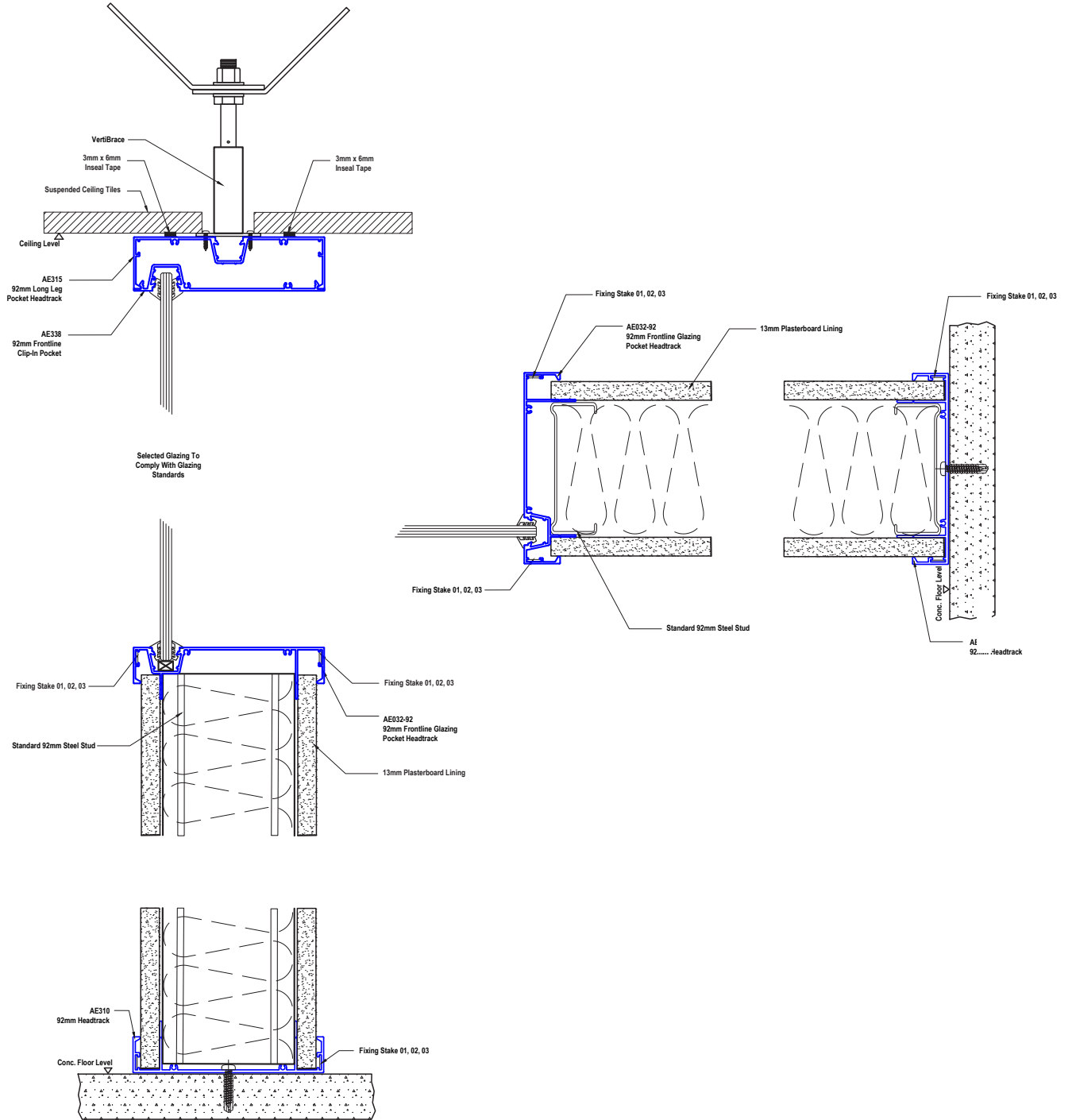
# ECLIPSE 92mm DOUBLE GLAZING AND FRONTLINE ALUMINIUM SUITE



## 92mm DOUBLE GLAZING AND FRONTLINE PROFILES

NOT TO SCALE. REFER DIMENSIONED PROFILES OR DOWNLOAD THE .DWG FILES FROM [WWW.TRIS.CO.NZ](http://WWW.TRIS.CO.NZ)

ECLIPSE 92mm FRONTLINE ALUMINIUM SUITE



**F92 - 03**  
92mm Frontline Glazing and  
Plasterboard Wall Section

NOT TO SCALE. REFER DIMENSIONED PROFILES OR DOWNLOAD THE .DWG FILES FROM [WWW.TRIS.CO.NZ](http://WWW.TRIS.CO.NZ)



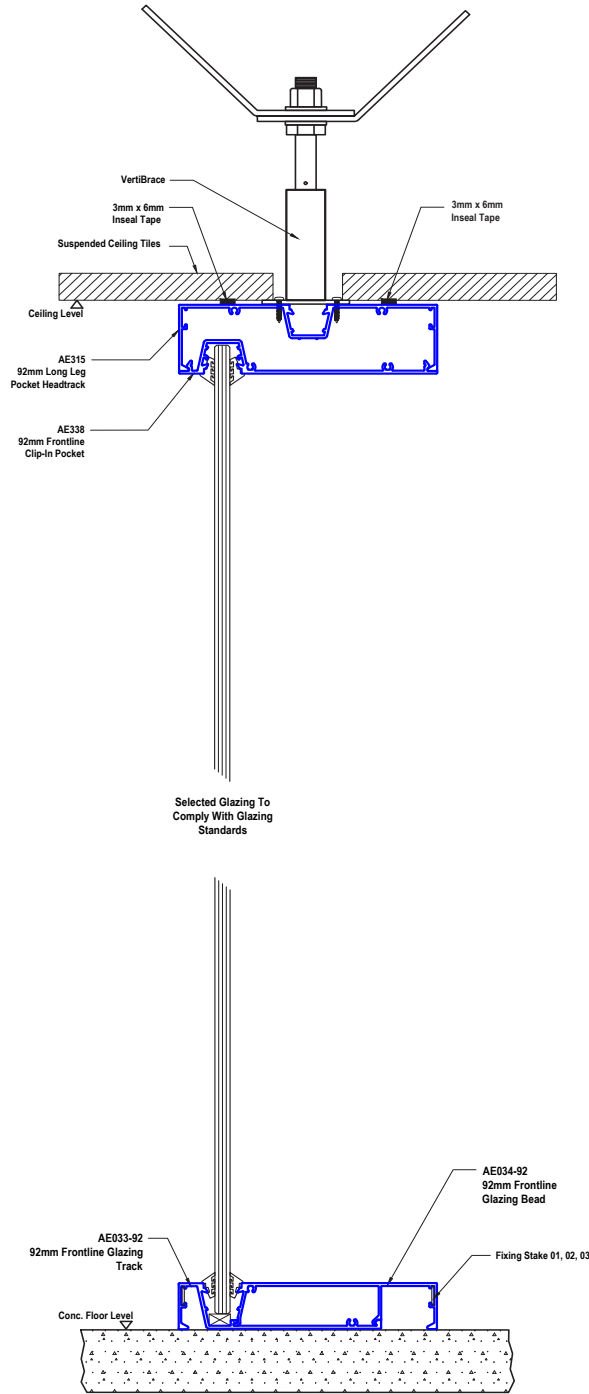
Detail variations  
found online.



0800 666 556  
info@tris.co.nz  
www.tris.co.nz

**Frontline Glazing  
Details**

ECLIPSE 92mm FRONTLINE ALUMINIUM SUITE

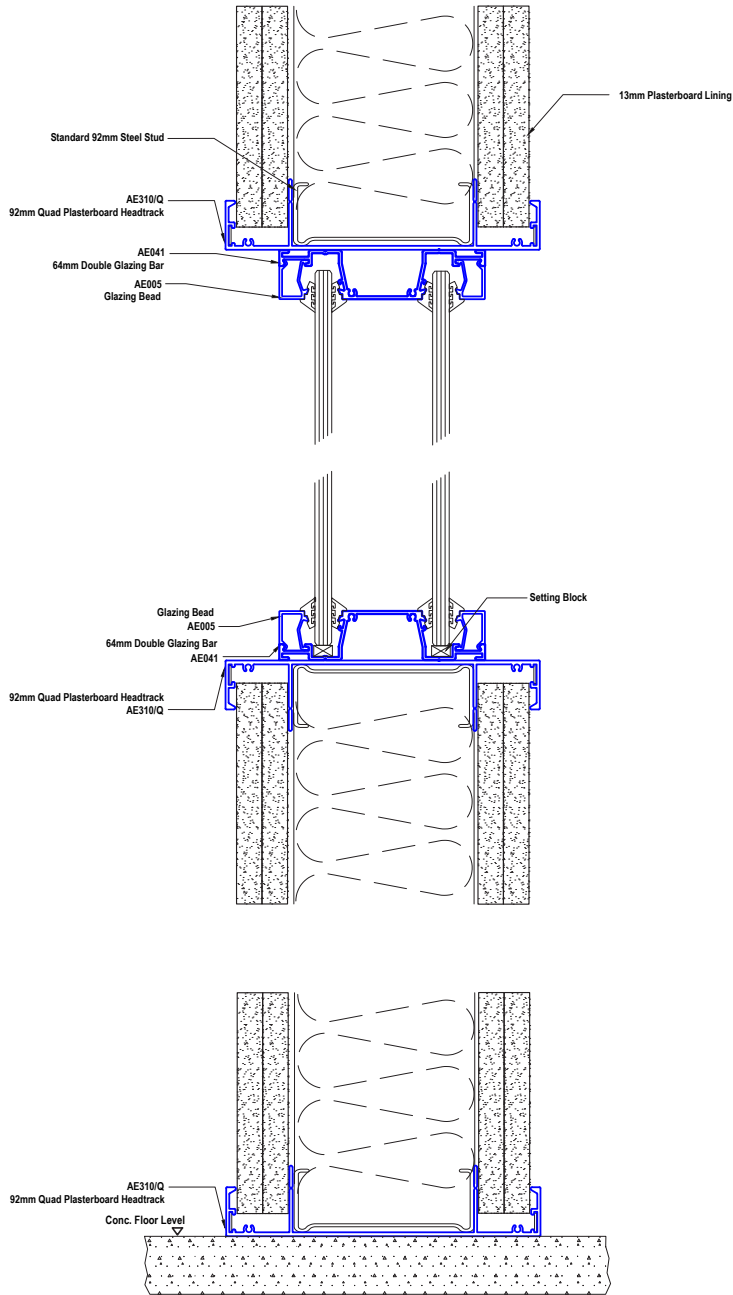


**F92 - 04**  
92mm Frontline Glazing

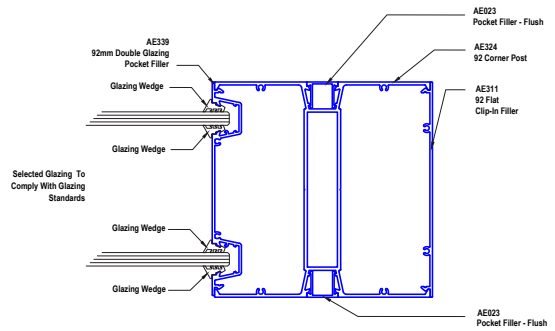
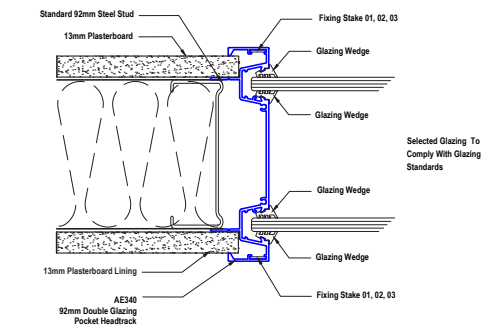
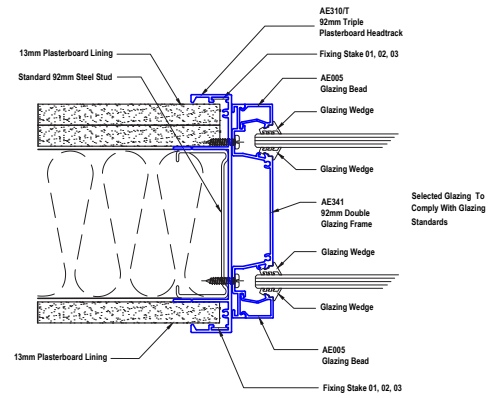
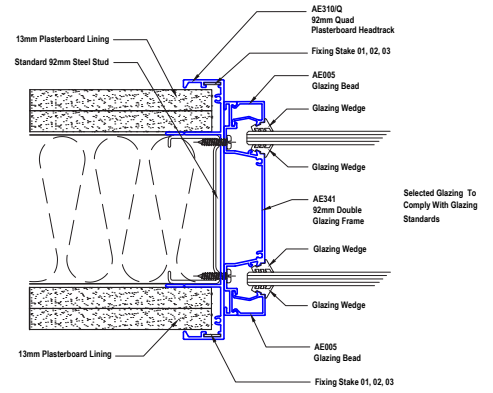
NOT TO SCALE. REFER DIMENSIONED PROFILES OR DOWNLOAD THE .DWG FILES FROM [WWW.TRIS.CO.NZ](http://WWW.TRIS.CO.NZ)



# ECLIPSE 92mm DOUBLE GLAZING ALUMINIUM SUITE



**F92 - 05**  
92mm Double Glazing



**F92 - 06**  
92mm Double Glazing  
Termination Plan

NOT TO SCALE. REFER DIMENSIONED PROFILES OR DOWNLOAD THE .DWG FILES FROM [WWW.TRIS.CO.NZ](http://WWW.TRIS.CO.NZ)



Detail variations  
found online.



**Double Glazing  
Details**



# Eclipse Aluminium Door Suite





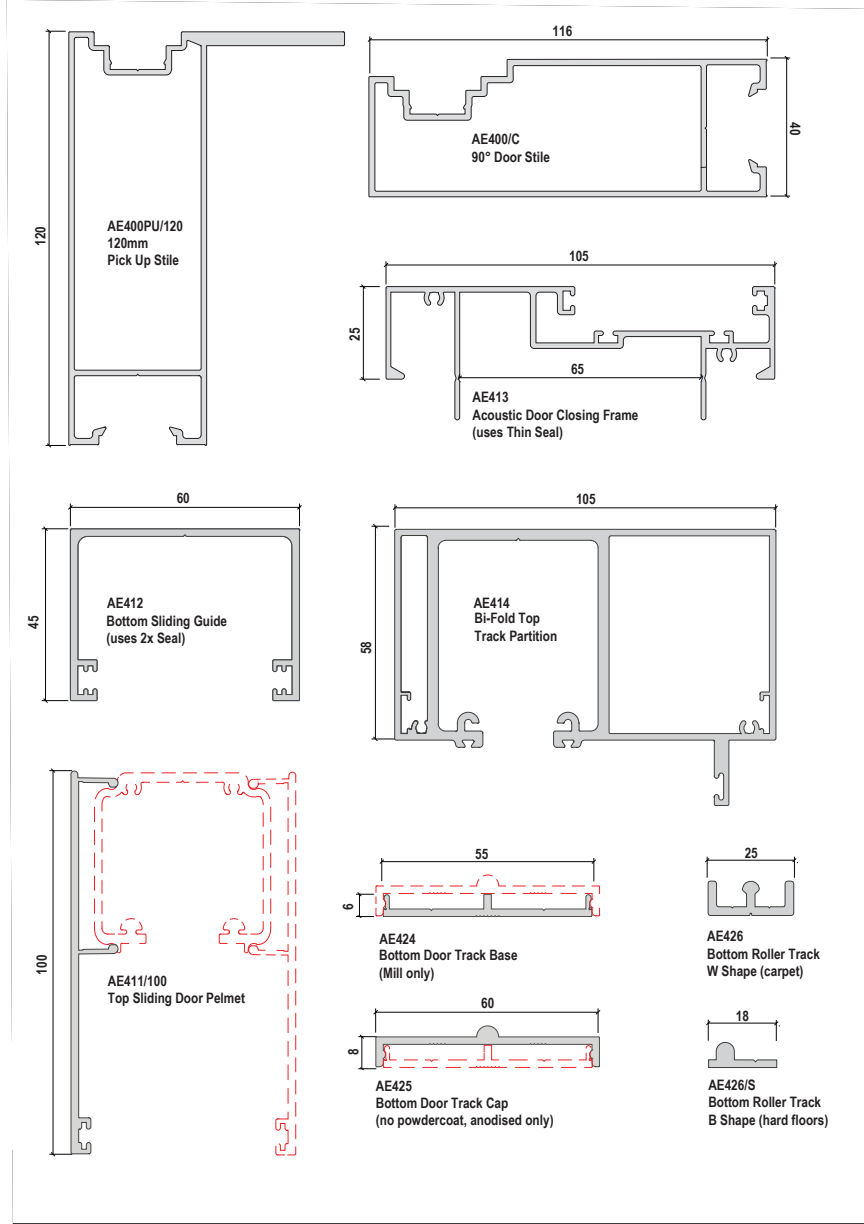
# ECLIPSE ALUMINIUM DOOR SUITE



## DOOR PROFILES

NOT TO SCALE. REFER DIMENSIONED PROFILES OR DOWNLOAD THE .DWG FILES FROM [WWW.TRIS.CO.NZ](http://WWW.TRIS.CO.NZ)

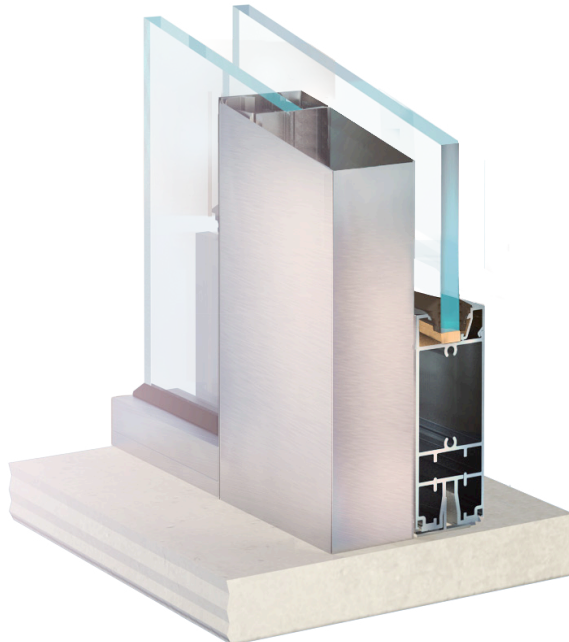
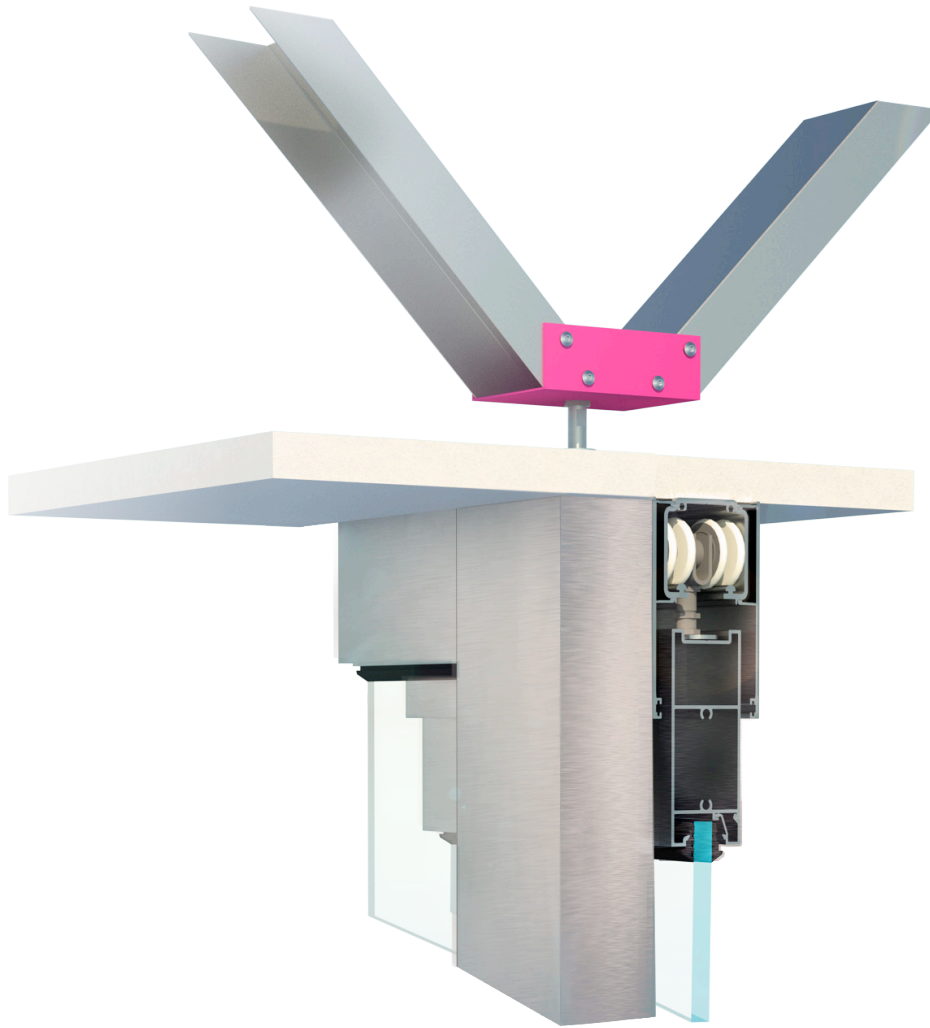
ECLIPSE ALUMINIUM DOOR SUITE



DOOR PROFILES

NOT TO SCALE. REFER DIMENSIONED PROFILES OR DOWNLOAD THE .DWG FILES FROM [WWW.TRIS.CO.NZ](http://WWW.TRIS.CO.NZ)

ECLIPSE ALUMINIUM DOOR SUITE



NOT TO SCALE. REFER DIMENSIONED PROFILES OR DOWNLOAD THE .DWG FILES FROM [WWW.TRIS.CO.NZ](http://WWW.TRIS.CO.NZ)



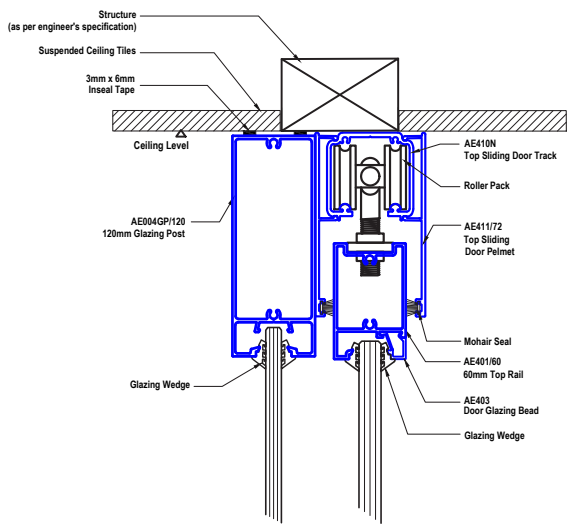
Detail variations  
found online.



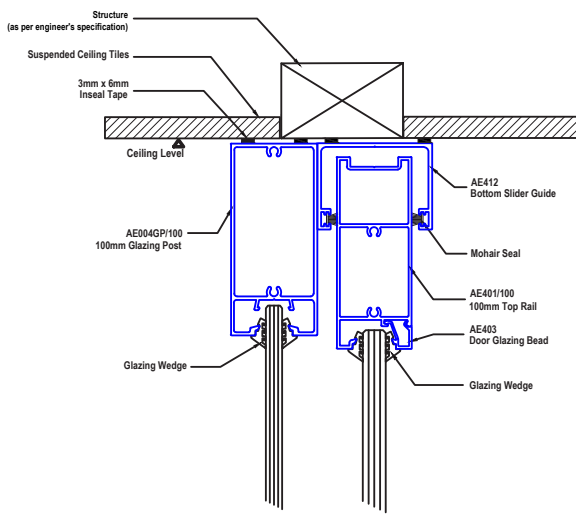
0800 666 556  
info@tris.co.nz  
www.tris.co.nz

**Top Hung  
Roller Door**

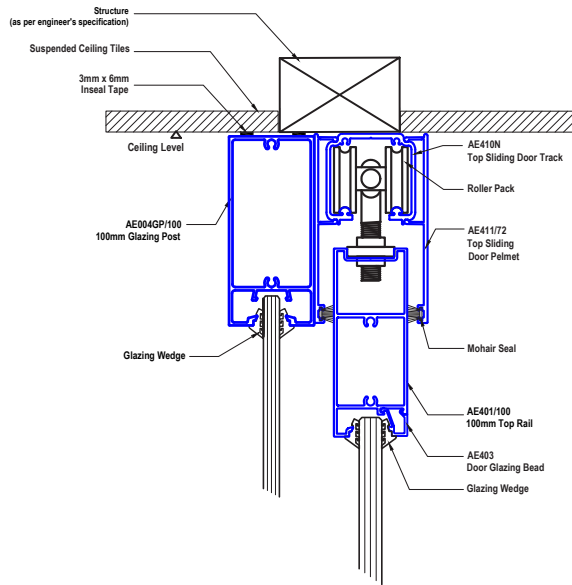




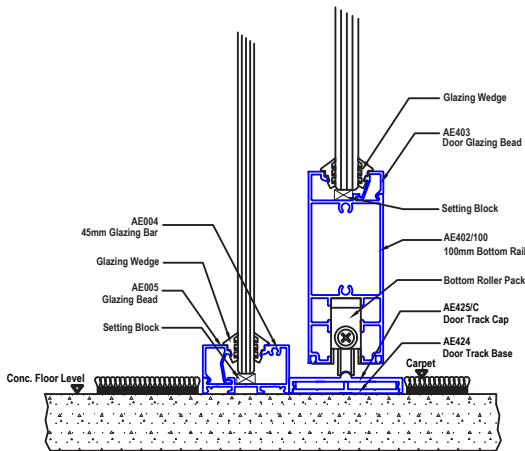
**D04 - 120**  
**NEW** Top Hung  
 Sliding Door Section



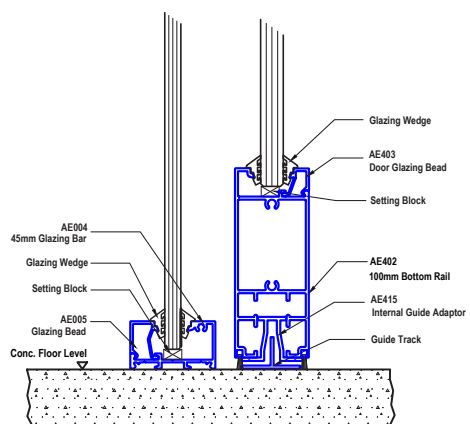
Selected Glazing To  
 Comply With Glazing  
 Standards



Selected Glazing To  
 Comply With Glazing  
 Standards



**D03 - 100**  
 Bottom Rolled Sliding  
 Door Section



**D04 - 100**  
 Top Hung Sliding  
 Door Section

\*(D04-120) AE401/60 60mm Top Rail -Lead times apply

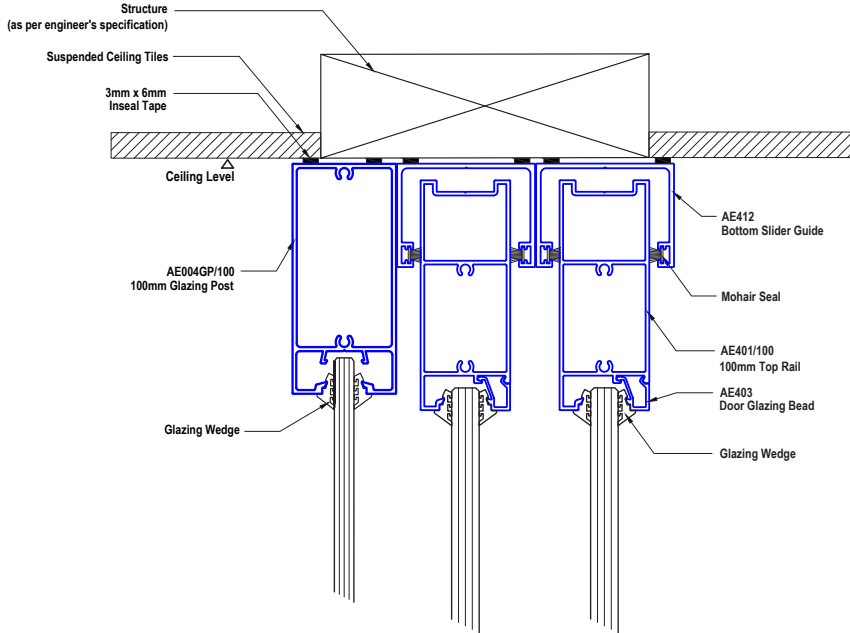
Please Note: All doors available with 80mm, 100mm and 120mm stiles. See details online.

NOT TO SCALE. REFER DIMENSIONED PROFILES OR DOWNLOAD THE .DWG FILES FROM [WWW.TRIS.CO.NZ](http://WWW.TRIS.CO.NZ)

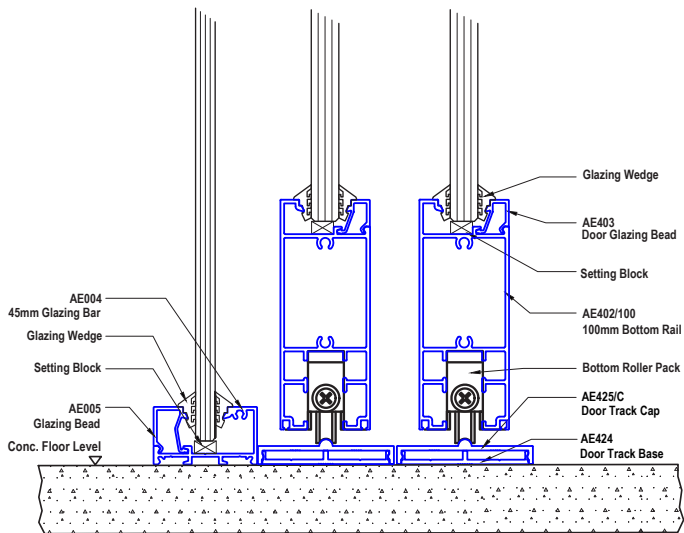




ECLIPSE ALUMINIUM DOOR SUITE



Selected Glazing To Comply With Glazing Standards



**D06 - 100**

Double Bottom Rolled Door Section

Please Note: All doors available with 80mm, 100mm and 120mm stiles. See details online.

NOT TO SCALE. REFER DIMENSIONED PROFILES OR DOWNLOAD THE .DWG FILES FROM [WWW.TRIS.CO.NZ](http://WWW.TRIS.CO.NZ)



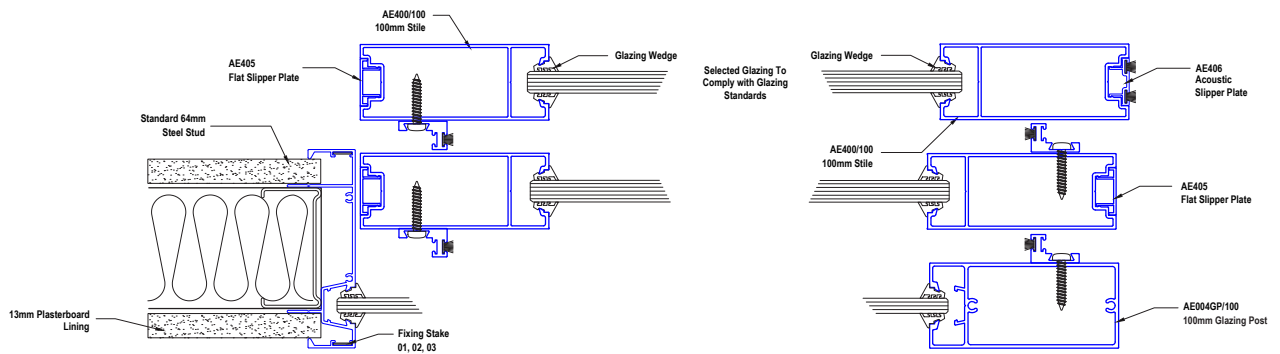
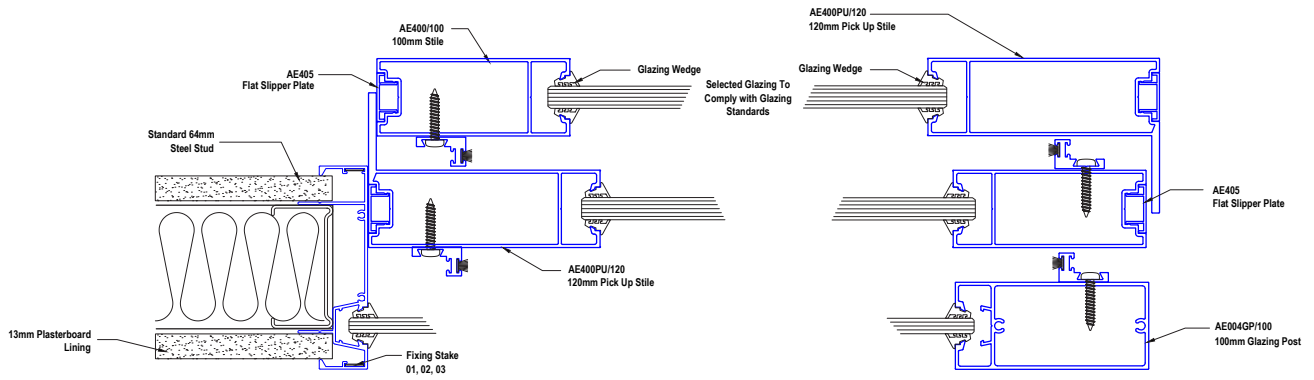
Detail variations found online.



0800 666 556  
info@tris.co.nz  
www.tris.co.nz

**Door Detail**

# ECLIPSE ALUMINIUM DOOR SUITE



## D07 - 100

### Double Sliding Door Plans

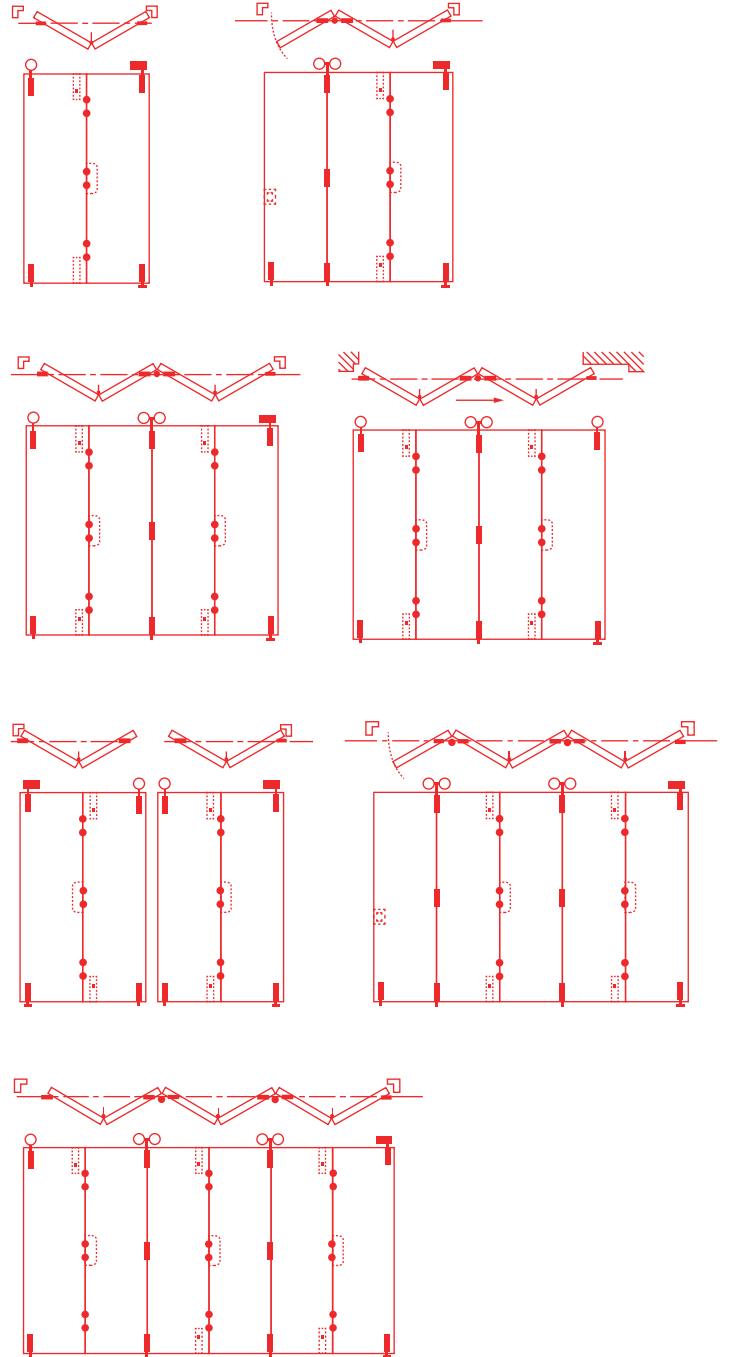
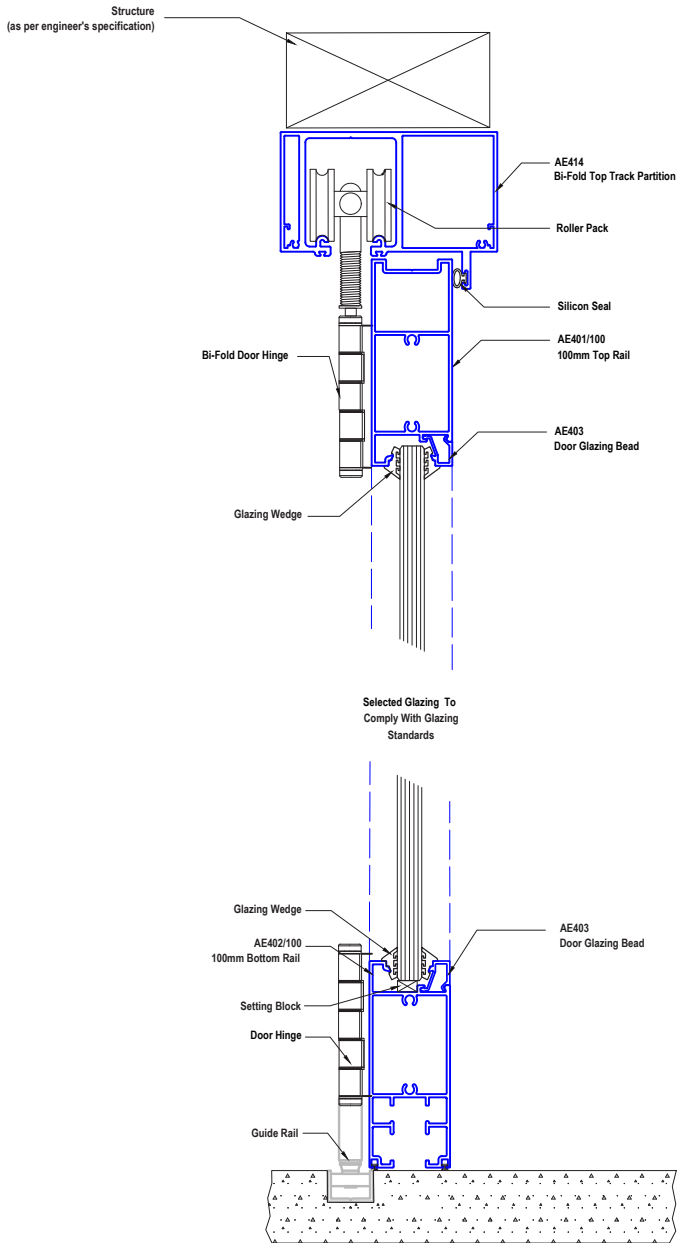
See .DWG detail for closed door drawing.

Please Note: All doors available with 80mm, 100mm and 120mm stiles. See details online.

NOT TO SCALE. REFER DIMENSIONED PROFILES OR DOWNLOAD THE .DWG FILES FROM [WWW.TRIS.CO.NZ](http://WWW.TRIS.CO.NZ)



ECLIPSE ALUMINIUM DOOR SUITE



**D08 - 100**  
Bi-Fold Door Section

Possible Bi-Fold Door  
Configurations

Please Note: All doors available with 80mm, 100mm and 120mm stiles. See details online.  
NOT TO SCALE. REFER DIMENSIONED PROFILES OR DOWNLOAD THE .DWG FILES FROM [WWW.TRIS.CO.NZ](http://WWW.TRIS.CO.NZ)



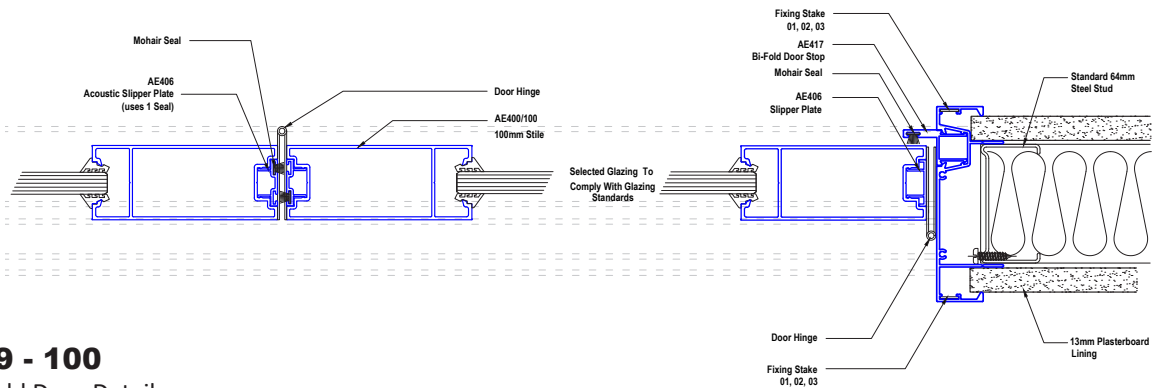
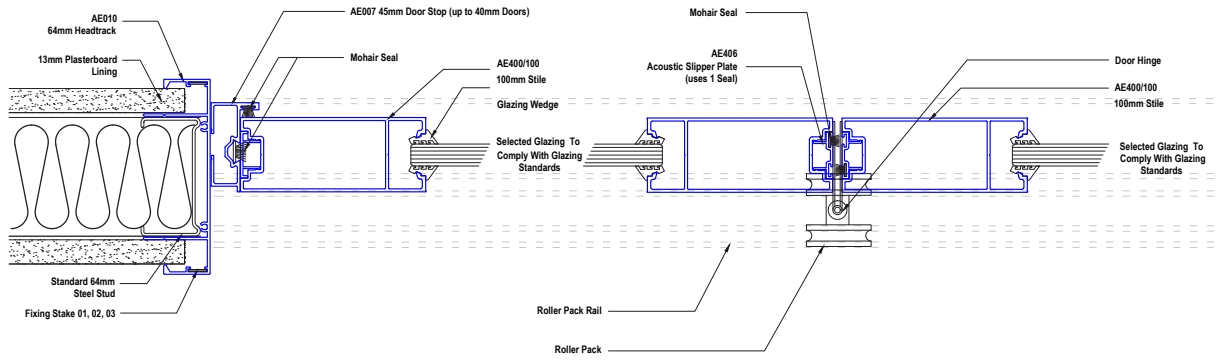
Detail variations  
found online.



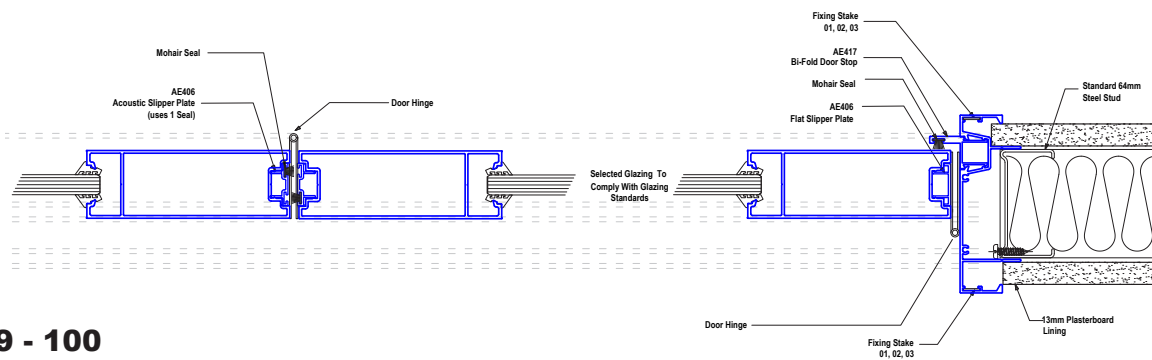
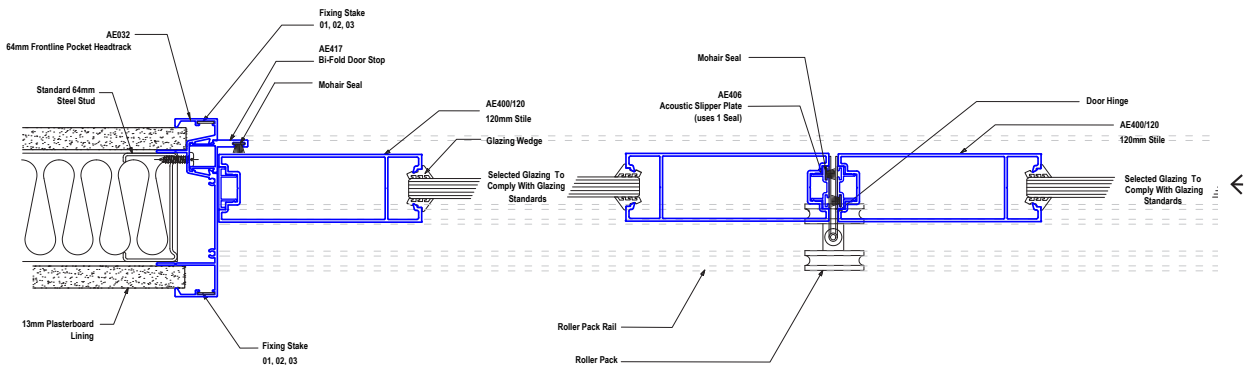
0800 666 556  
info@tris.co.nz  
www.tris.co.nz

**Bi-Fold Door Section**

# ECLIPSE ALUMINIUM DOOR SUITE



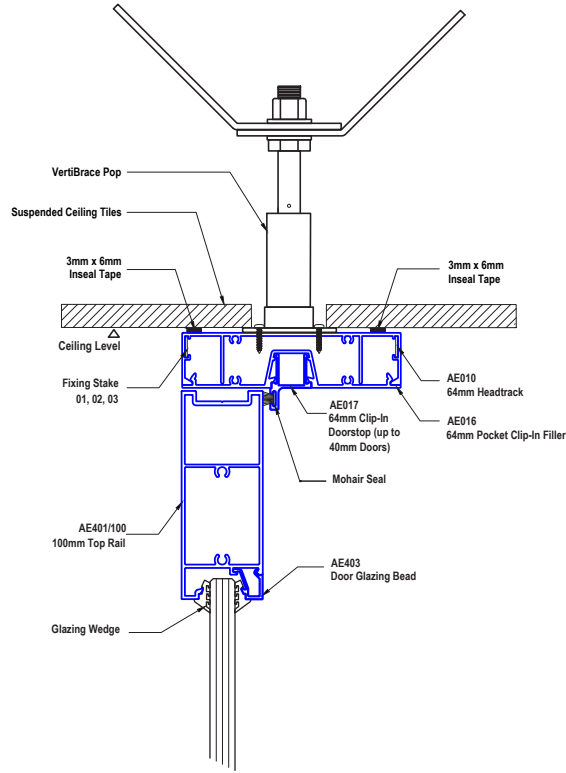
**D09 - 100**  
Bi-Fold Door Detail  
with Door Stop



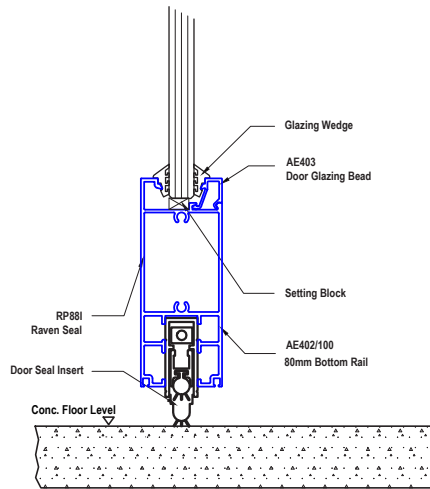
**D09 - 100**  
Bi-Fold Door Plan

Please Note: All doors available with 80mm, 100mm and 120mm stiles. See details online.  
NOT TO SCALE. REFER DIMENSIONED PROFILES OR DOWNLOAD THE .DWG FILES FROM [WWW.TRIS.CO.NZ](http://WWW.TRIS.CO.NZ)

# ECLIPSE ALUMINIUM DOOR SUITE



Selected Glazing To Comply With Glazing Standards



## D10 - 100 Single Hinged Door Section (See also: 64mm, 92mm Suite)

Please Note: All doors available with 80mm, 100mm and 120mm stiles. See details online.  
NOT TO SCALE. REFER DIMENSIONED PROFILES OR DOWNLOAD THE .DWG FILES FROM [WWW.TRIS.CO.NZ](http://WWW.TRIS.CO.NZ)



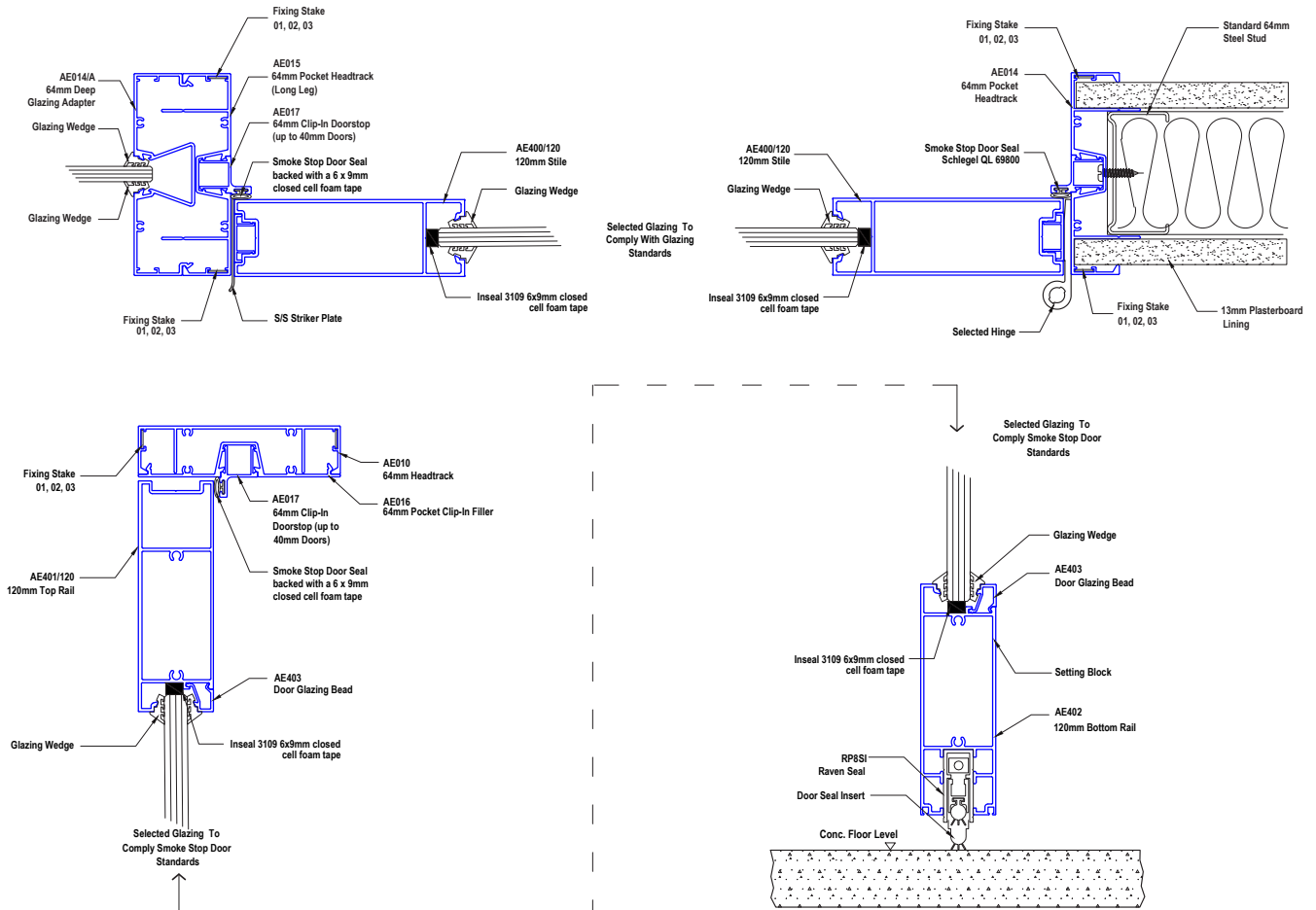
Detail variations found online.



0800 666 556  
info@tris.co.nz  
www.tris.co.nz

**Door Details**

# ECLIPSE ALUMINIUM DOOR SUITE



## D11 - 120 Smoke Stop Door (-/-/SM)

### ECLIPSE SMOKE STOP DOOR - HARDWARE TABLE

Door latch	Windsor, Astron, Futura
Glass	10.76mm laminated glass
Dropdown seal	Raven RP8 SI
Perimeter seal	Schlegel QL 69800
Perimeter glass seal	Inseal 3109 6 x 9mm closed cell foam tape
Door closer	Lockwood 724SIL
Door perimeter clearance	Stiles, 3mm head rail 5mm, bottom rail 10mm

Tested in accordance with AS/NZS 1530.7:1998.  
Please note: Tested system is for 120mm door only.

NOT TO SCALE. REFER DIMENSIONED PROFILES OR DOWNLOAD THE .DWG FILES FROM [WWW.TRIS.CO.NZ](http://WWW.TRIS.CO.NZ)



BIG BLUE  
Eclipse Bi-Fold Doors



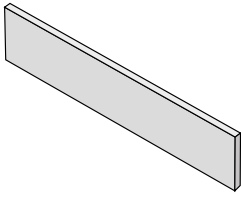
NELSON BUILDING SOCIETY  
Eclipse 92mm Aluminium Suite



# Eclipse Aluminium Accessories

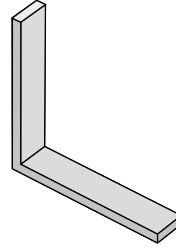






### Headtrack Straight Stake 01

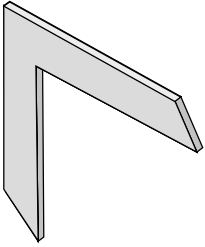
Works in all standard headsections.



### Glazing Stake 04

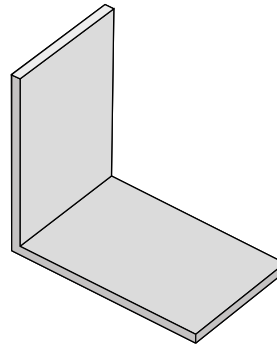
Used to hold the junction of the butt joint. 2 rivets should be used in each leg to stop twist.

Note: This impedes on the glass cover, but there are no other options.



### Headtrack Vertical Stake 02

Used in headsections and when creating a mitre that turns up or down.



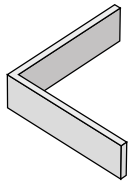
### Door Jamb Stake 05

To be used with AE007/ 45mm Suite AE008 Door Jamb.

To secure any other large box like section to the floor.

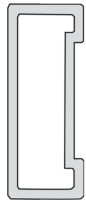
#### Required Fixings

Wafer 10-16 x 16 Flat Philips S/Drill Zinc  
8G X 20 CSK #2 Square S/S Self tapping



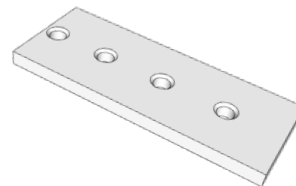
### Headtrack Horizontal Stake 03

Used within aluminium suite headtracks.



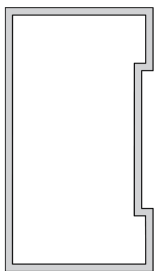
### Stick-On Glazing Mullion

AE002/D



### Universal Fixing Pack

(for doors)



### Stick-On Glazing Mullion

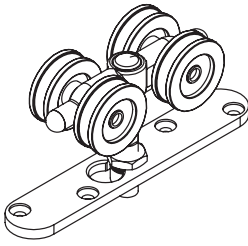
AE002

### Mohair Seals

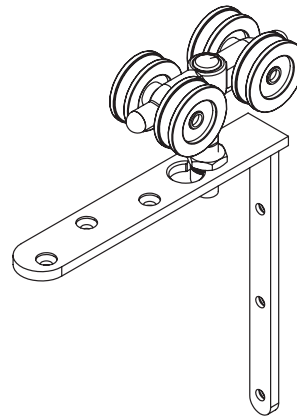
AASBB: Base (black) 12mm: Wider seal required for AE007 & 008.

AASSB: Seal (black) 8mm: Required for the AE007 & 008 and the clip-in AE017/018/3 17/318.

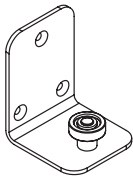
AASTB: Thin profile 4.5mm: Used in the bottom of the door rails, both 80mm and 120mm (AE402/80 & AE402).



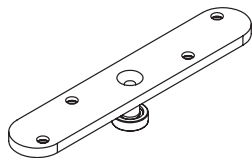
No. 57GN Hanger



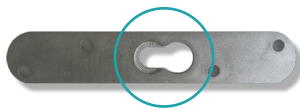
No. 52GN Hanger



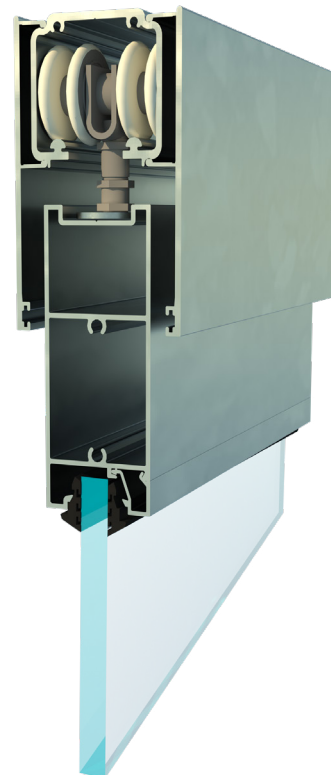
No. 102W/94SS Guide



No. 106RB/94 Guide

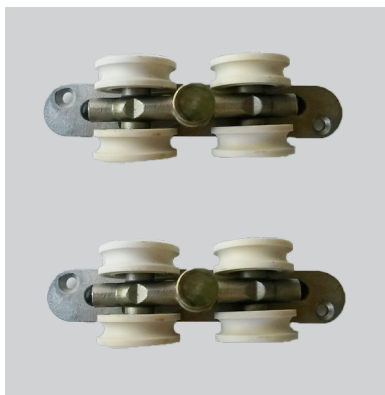


Serration on rim of hanger plate and nut for non-slip fixing upon installation.



### Panel Specification

Track System:	Single Run 180
For Individual Panels:	
Max Panel Height	3000mm
Max Panel Weight	180kg
Min Panel Thickness	35mm



### Parts Shown in Function

- AE410N - Top Sliding Door Track
- AE401 - 120mm Top Rail
- 57GN - Brio Roller

NOT TO SCALE. REFER DIMENSIONED PROFILES OR DOWNLOAD THE .DWG FILES FROM [WWW.TRIS.CO.NZ](http://WWW.TRIS.CO.NZ)

ALUMINIUM DOOR REQUIREMENTS

BOTTOM HUNG	PROFILE	80MM	100MM	120MM	PIECES	NOTES
	Top Rail	401/80	401/100	401/120	1	
	Glazing Bead	403	403	403	2	
	Slider Guide	412	412	412	1	
	Stile	400/80	400/100	400/120	2	
	Acoustic Side Slipper	407	407	407	1	
	Acoustic Slipper	406	406	406	1	
	Bottom Rail	402/80	402/100	402/120	1	
	Bottom Rollers				2	Two wheels per leaf
	Glaze Stake				4	
	Fixing Channels				4	One in each corner
	Floor Roller Track				1	Does not get powdercoated
	Door Pick-Up	416	416	416	1 per door	More than one slider requires a pick-up per door. You cannot have more than two sliders on a top hung door system as the guide adapters will become trip hazards
TOP HUNG	PROFILE	80MM	100MM	120MM	PIECES	NOTES
	Top Rail	401/80	401/100	401/120	1	
	Bottom Rail	402/80	402/100	402/120	1	This is to fit internal floor guide
	Glazing Bead	403	403	403	2	Doors need two glazing beads
	Top Slider Track	410	410	410	1	Does not get powdercoated
	Stile	400/80	400/100	400/120	2	
	Acoustic Side Slipper	407	407	407	1	
	Acoustic Slipper	406	406	406	1	
	Top Pelmet	411	411	411	2	
	Top Rollers				2	Two wheels per leaf
	Glaze Stake				4	One in each corner
	Fixing Channels				4	One in each corner
	Internal Guide	415	415	415		Does not get powdercoated
	Door Pick-Up	416	416	416	1 per door	More than one slider requires a pick-up per each leaf. You cannot have more than two sliders on a top hung door system as the guide adapters will become trip hazards
STANDARD CLOSER (LEAF)	COMPONENT	80MM	100MM	120MM	PIECES	NOTES
	Top Rail	401/80	401/100	401/120	2	One up top and one down bottom
	Glazing Bead	403	403	403	2	
	Stile	400/80	400/100	400/120	2	
	Flat Slipper	405	405	405	2	
	Glaze Stake				4	One in each corner
	Fixing Channels				4	One in each corner
	Hinges				4	Top two close together
FRAMING		45MM	64MM	92MM	PIECES	NOTES
	Pocket Headtrack	007 or 008	014	314	3	This is very subjective and will differ from site to site
	Posts	AE003 AE004/GP/72				Use posts depending on your profile type i.e. 64mm or 92mm
	Clip-In Door Stop	N/A	017 or 018	317 or 318	3	

## ALUMINIUM DOOR REQUIREMENTS

SMOKE STOP DOOR CLOSER (LEAF)	COMPONENT	80MM	100MM	120MM	PIECES	NOTES
	Top Rail	N/A	401/100	401/120	1	
	Bottom Rail	N/A	402/100	402/120	1	Accommodates Raven Seal
	Glazing Bead	N/A	403	403	2	
	Stile	N/A	N/A	400/120	2	
	Flat Slipper	N/A	405	405	2	
	Glaze Stake				4	One in each corner
	Fixing Channels				4	One in each corner
	Hinges				4	Top two close together

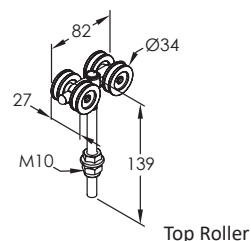
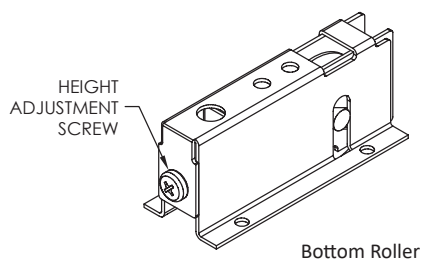
## GENERAL GLASS AND DOOR CONSIDERATIONS

NOMINAL THICKNESS OF GLASS	WEIGHT (KG PER M <sup>2</sup> )	GENERAL MAX SIZE MANUFACTURED
Float	8mm	3210 x 5100
	10mm	3210 x 5100
	12mm	3210 x 5100
	15mm	3210 x 5100
	19mm	3210 x 5100
Obscure	6mm	2760 x 1840
PVB Lam	6.38mm	4280 x 2760
	8.38mm	4280 x 2760
	10.38mm	3120 x 5100
	12.38mm	3120 x 5100

### Indicative maximum sizes for sliding door panels:

	MAX PANEL WEIGHT	MAX PANEL WIDTH	MAX PANEL HEIGHT	GLASS THICKNESS	NUMBER OF PANELS
Max Bottom Rolled	170kg	2000mm	3000mm	Max 10.38mm PVB	1 or multi
Max Top Rolled	180kg	2200mm 2400mm	3000mm 2700mm	10.38mm PVB 10.38mm PVB	1 or multi

Above is door size max, no hardware or seals and max capacity of top and bottom rollers. This does not include using both top and bottom rollers. Contact an engineer for bottom and top roller combinations.



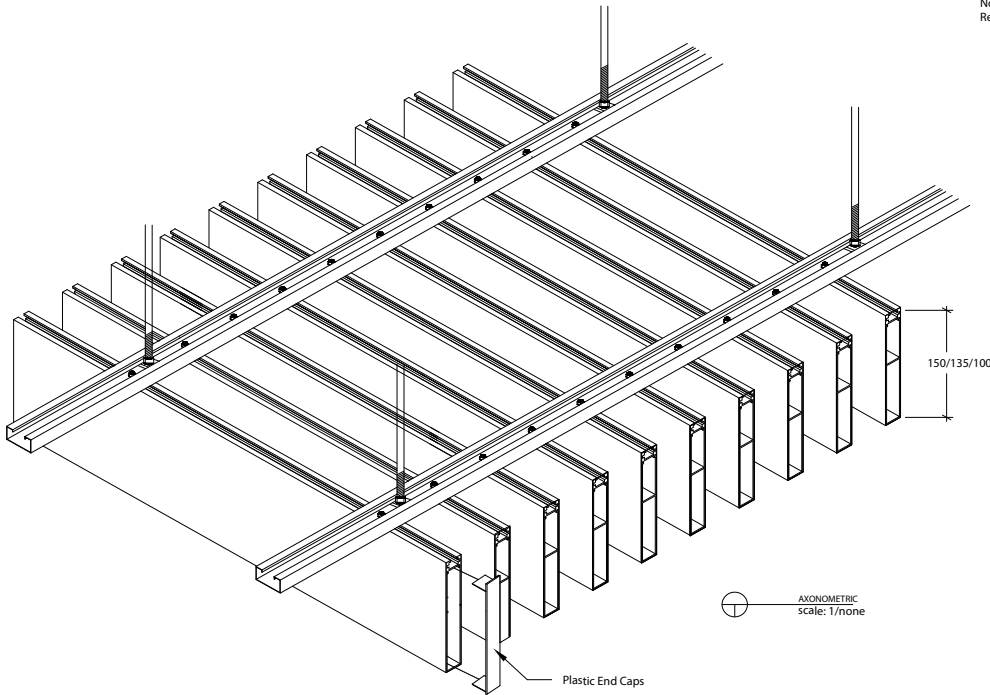


# Eclipse Aluminium Baffle

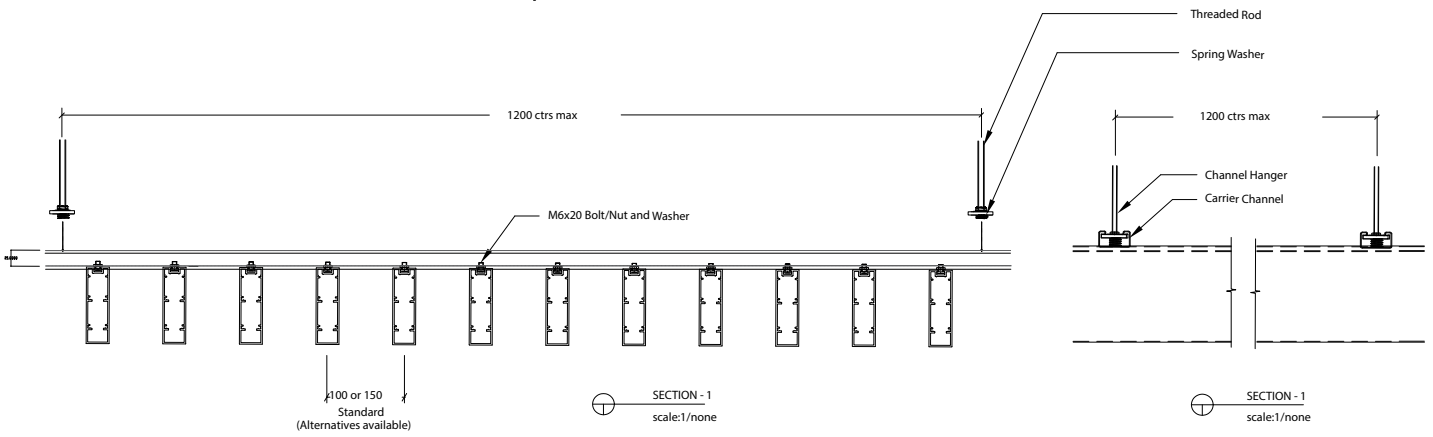


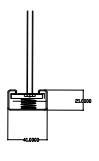
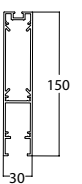
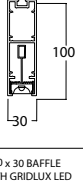
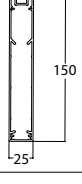
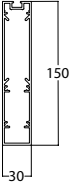
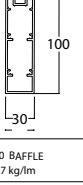
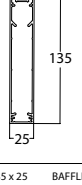
# ECLIPSE ALUMINIUM BAFFLE

Note:  
Requires suitable substrate fixing



AXONOMETRIC  
scale: 1/none



			
CARRIER CHANNEL 41mmx21mm	30 x 150 BAFFLE WITH GRIDLUX LED 2.3 kg/lm	100 x 30 BAFFLE WITH GRIDLUX LED 1.7 kg/lm	150 x 25 BAFFLE
			
	150 x 30 BAFFLE 1.8 kg/lm	100 x 30 BAFFLE 1.7 kg/lm	135 x 25 BAFFLE

NOT TO SCALE. REFER DIMENSIONED PROFILES OR DOWNLOAD THE .DWG FILES FROM [WWW.TRIS.CO.NZ](http://WWW.TRIS.CO.NZ)





ECLIPSE ALUMINIUM BAFFLE

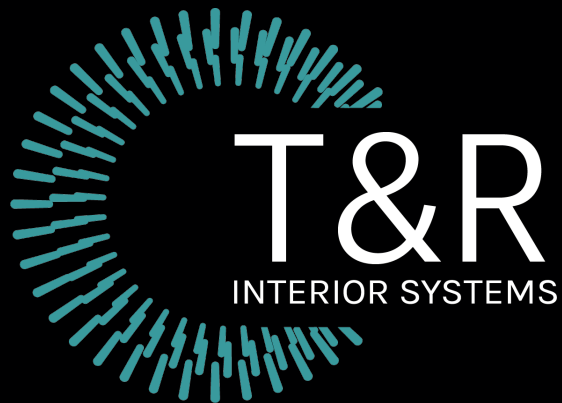


ANZ NEWMARKET  
Eclipse Aluminium Baffle with Gridlux



KHYBER PASS LOBBY  
Eclipse Aluminium Baffle with Gridlux





Scan to view the  
Eclipse Aluminium  
Suite online.

**Wellington Head Office**

12 Glover St, Ngauranga,  
Wellington 6035

04 499 5915

**Auckland**

19 - 21 Fairfax Ave,  
Penrose, Auckland 1061

09 571 0395

**Christchurch**

69 Disraeli St, Addington,  
Christchurch 8024

03 366 2507

[info@tris.co.nz](mailto:info@tris.co.nz)

[www.tris.co.nz](http://www.tris.co.nz)

July 2022